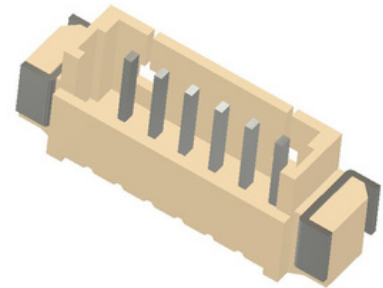




DESCRIPTION : 1.25mm PITCH WIRE TO BOARD HEADER,
SURFACE MOUNT TYPE, R/A, RoHS

PART NO: P9056N29-19-X

RoHS



PHYSICAL DATA

MATERIAL DATA:

INSULATOR BODY	:	NYLON 6T, UL 94V-0
CONTACT MATERIAL	:	COPPER ALLOY, TIN PLATED

ELECTRICAL DATA

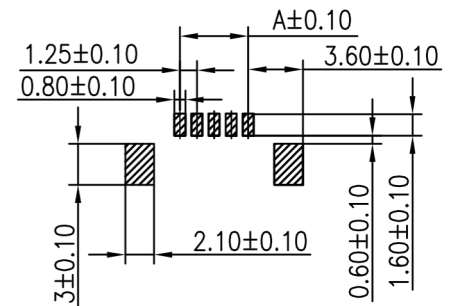
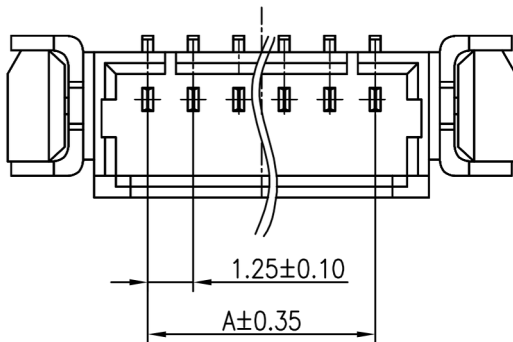
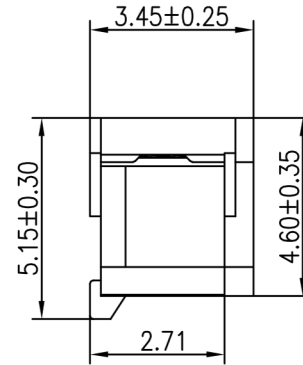
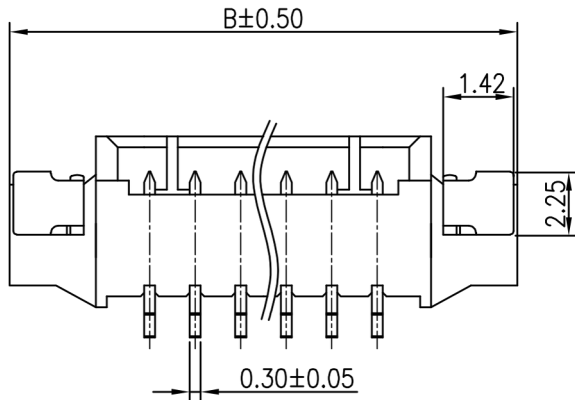
RATED CURRENT	:	1A, AC/DC
RATED VOLTAGE	:	100V AC/DC
INSULATION RESISTANCE	:	500M Ω MIN
CONTACT RESISTANCE	:	20m Ω MAX
WITHSTANDING VOLTAGE	:	500V AC/MINUTE

ENVIRONMENTAL DATA

OPERATING TEMPERATURE	:	-25°C TO +85°C
-----------------------	---	----------------

DESCRIPTION : 1.25mm PITCH WIRE TO BOARD HEADER,
SURFACE MOUNT TYPE, R/A, RoHS

PART NO: P9056N29-19-X



RECOMMENDED PCB LAYOUT
(PCB TOLERANCE ±0.05)

No. OF WAYS	DIMENSION	
	A(mm)	B(mm)
2	1.25	7.75
3	2.50	9.00
4	3.75	10.25
5	5.00	11.50
6	6.25	12.75
7	7.50	14.00
8	8.75	15.25
9	10.00	16.50
10	11.25	17.75
11	12.50	19.00
12	13.75	20.25
13	15.00	21.50
14	16.25	22.75
15	17.50	24.00
16	18.75	25.25
17	20.00	26.50
18	21.25	27.75

Projection:



Scale: NTS

Sht. Size: A4

Gen. Tol.: ±0.5mm
±2°

ALL DIMENSIONS ARE IN MM.
IF UNLESS OTHERWISE SPECIFIED.