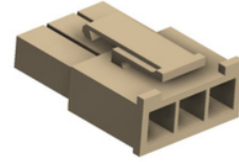




**DESCRIPTION:** 4.20mm PITCH MINIFIT HOUSING, SINGLE ROW

**PART NO:** P9054H29-00-X  
X=NO. OF CONTACTS

RoHS



## PHYSICAL DATA

INSULATION	:	
MATERIAL	:	NYLON 66
FLAMMABILITY	:	UL94V-2
COLOR	:	NATURAL COLOR

## ELECTRICAL DATA

CURRENT RATING	:	5A, AC/DC
INSULATION RESISTANCE	:	1000M $\Omega$ Min.
DIELECTRIC WITHSTANDING	:	1500V AC FOR 1 MINUTE

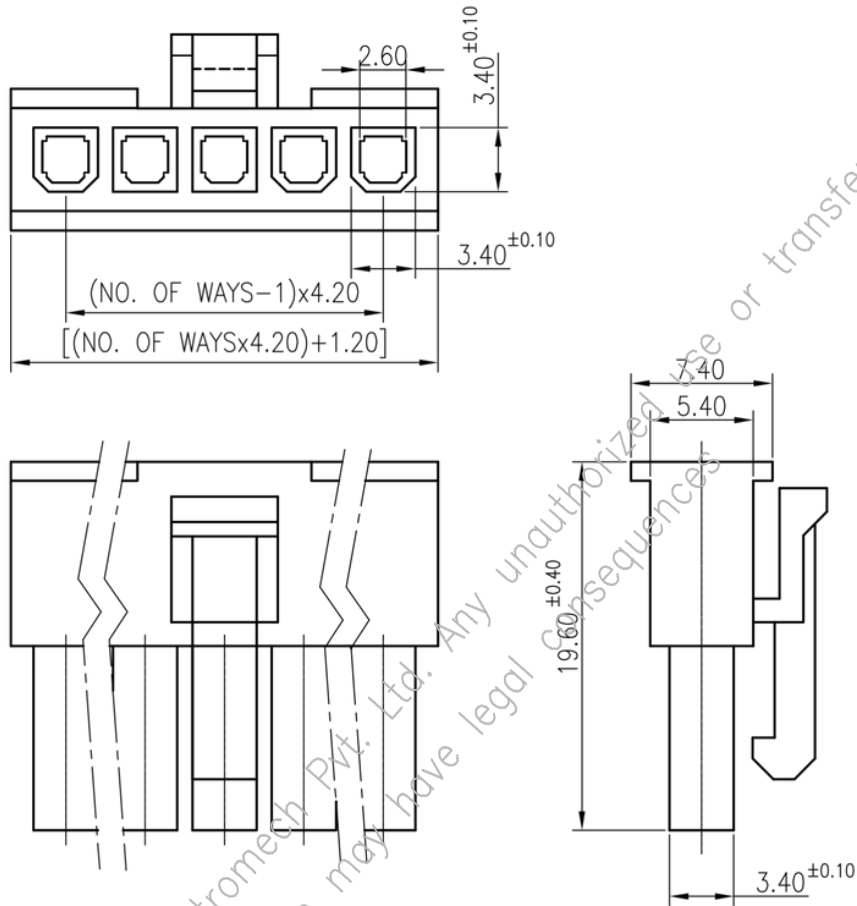
## ENVIRONMENTAL DATA

TEMPERATURE RANGE	:	-25° TO +85° C
-------------------	---	----------------



**DESCRIPTION:** 4.20mm PITCH MINIFIT HOUSING, SINGLE ROW

**PART NO:** P9054H29-00-X  
X=NO. OF CONTACTS



Projection:

Scale: NTS

Sht. Size: A4

Gen. Tol.: ±0.35mm

ALL DIMENSIONS ARE IN MM.  
IF UNLESS OTHERWISE SPECIFIED.