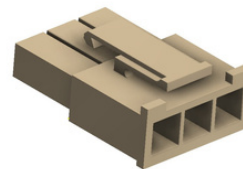




**DESCRIPTION:** 4.20mm PITCH MINIFIT HOUSING, SINGLE ROW

**PART NO:** P9054H29-00-X  
X=NO. OF CONTACTS

RoHS



## PHYSICAL DATA

INSULATION

MATERIAL : NYLON 66

FLAMMABILITY : UL94V-2

COLOR : NATURAL COLOR

## ELECTRICAL DATA

CURRENT RATING : 5A, AC/DC

INSULATION RESISTANCE : 1000M $\Omega$  Min.

DIELECTRIC WITHSTANDING : 1500V AC FOR 1 MINUTE

## ENVIRONMENTAL DATA

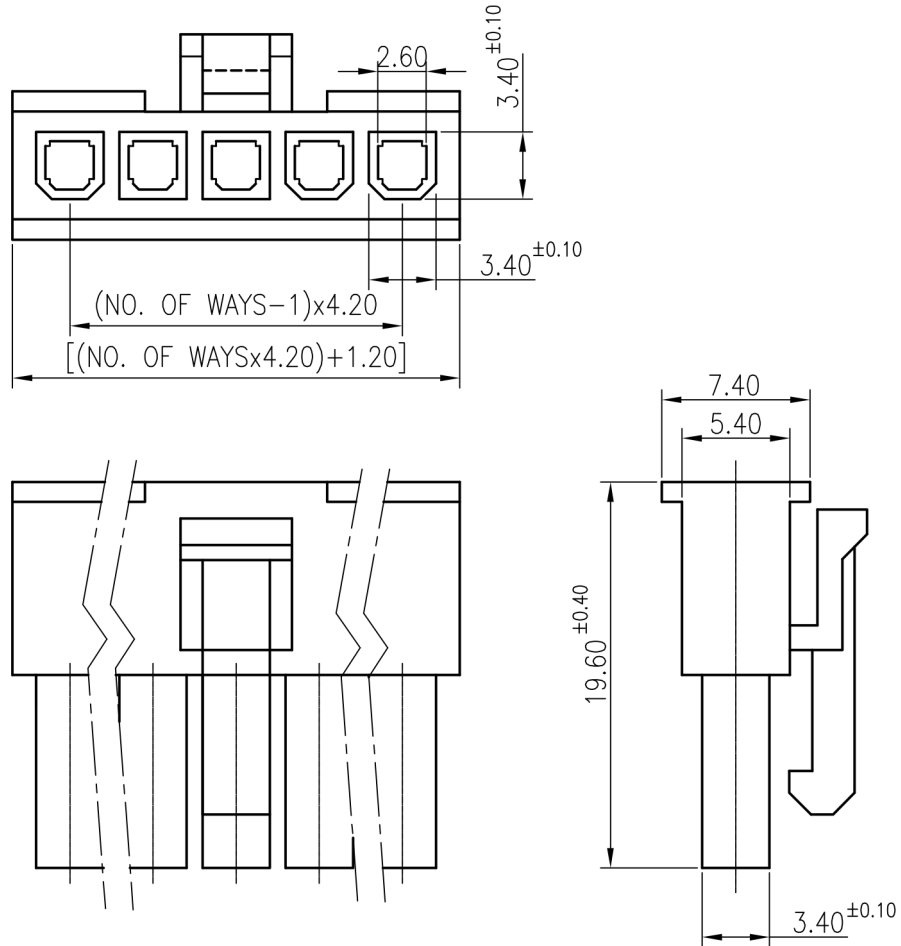
TEMPERATURE RANGE : -25° TO +85° C



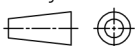
**DESCRIPTION:** 4.20mm PITCH MINIFIT HOUSING, SINGLE ROW

**PART NO:** P9054H29-00-X

X=NO. OF CONTACTS



Projection:



Scale: NTS

Sht. Size: A4

Gen. Tol.:  $\pm 0.35$ mm

ALL DIMENSIONS ARE IN MM.  
IF UNLESS OTHERWISE SPECIFIED.