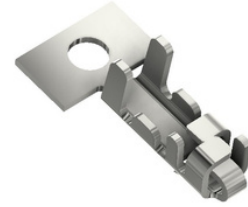




DESCRIPTION: CRIMP TERMINAL FOR 2.5mm PITCH
DISCONNECTABLE.

PART NO: P9052T00-29

RoHS



PHYSICAL DATA

CONTACT
MATERIAL : PHOSPHOR BRONZE
FINISH : TIN PLATING
PACKAGING TYPE : 7000 PCS/REEL

ELECTRICAL DATA

CURRENT RATING : 3A AC,DC
CONTACT RESISTANCE : 20mΩ Max.
VOLTAGE RATING : 250V AC/DC

ENVIRONMENTAL DATA

TEMPERATURE RANGE : -25°C TO +85° C

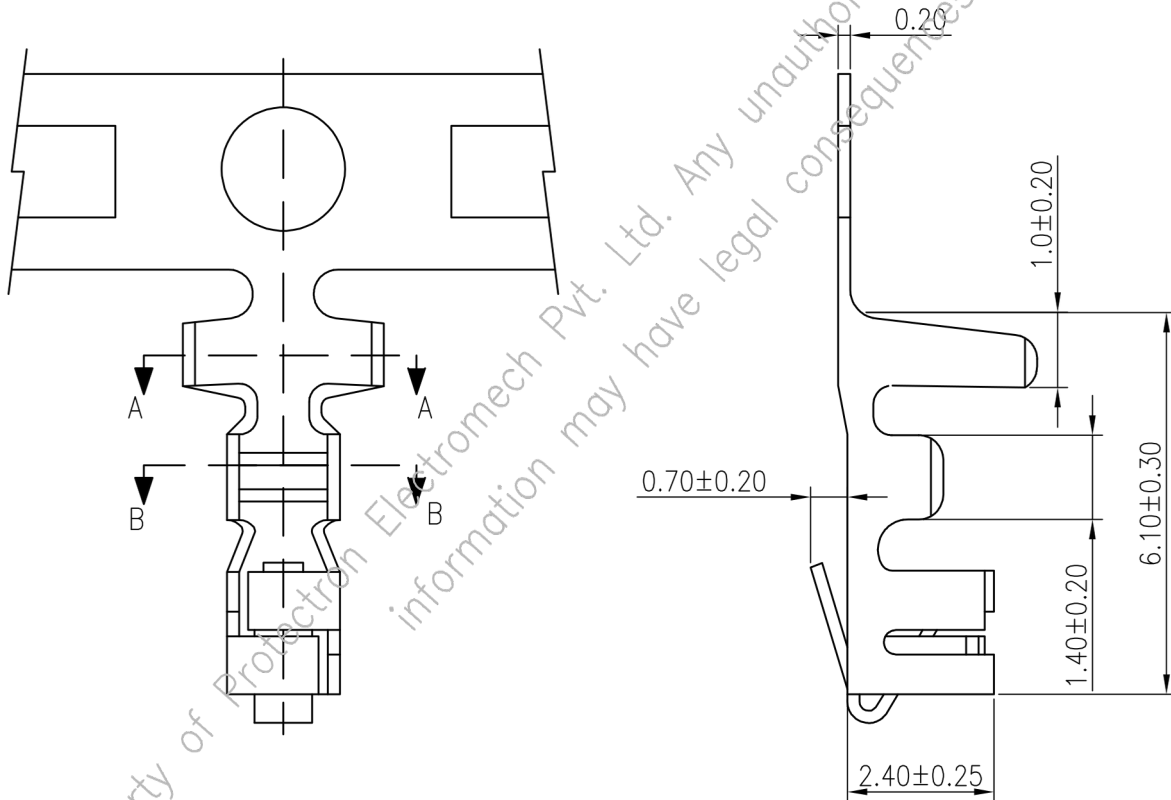
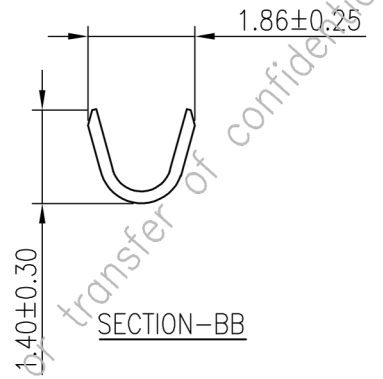
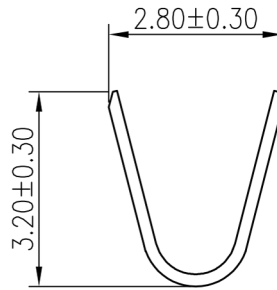
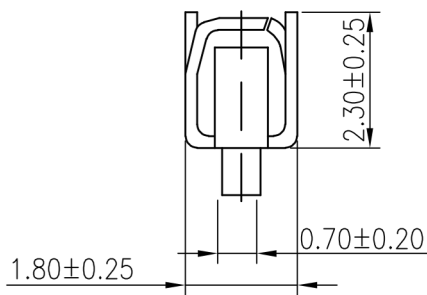
MATING DETAILS

HOUSING : P9052H
WAFER : P9052S & P9052R
WIRE RANGE : 22~28 AWG
INSULATION O.D.-1.90mm Max.



DESCRIPTION: CRIMP TERMINAL FOR 2.5mm PITCH
DISCONNECTABLE.

PART NO: P9052T00-29



Projection:



Scale: NTS

Sht. Size: A4

Gen. Tol.: ± 0.30 mm
 $\pm 2^\circ$

ALL DIMENSIONS ARE IN MM.
IF UNLESS OTHERWISE SPECIFIED.