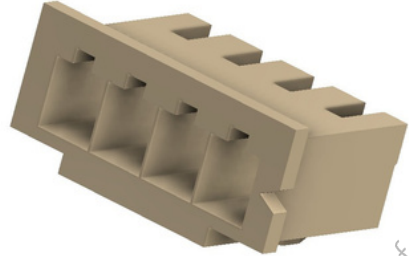




DESCRIPTION: TERMINAL HOUSING 2.50mm PITCH, PLUG TYPE **PART NO:** P9052PH29-00-X
X=NO. OF WAYS

RoHS



PHYSICAL DATA

INSULATION	
MATERIAL	: NYLON66
FLAMMABILITY	: UL94V-0
COLOR	: WHITE
PACKAGING TYPE	: STANDARD PACKING

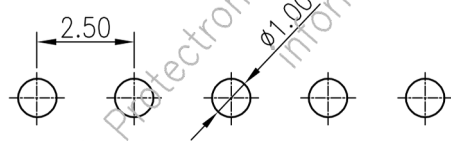
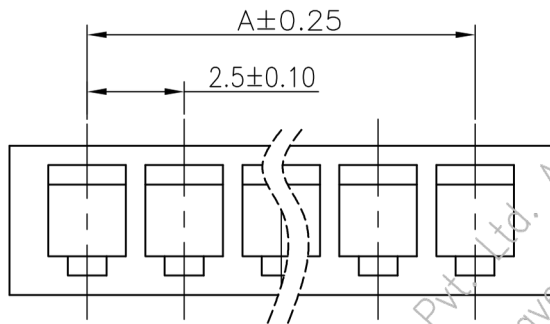
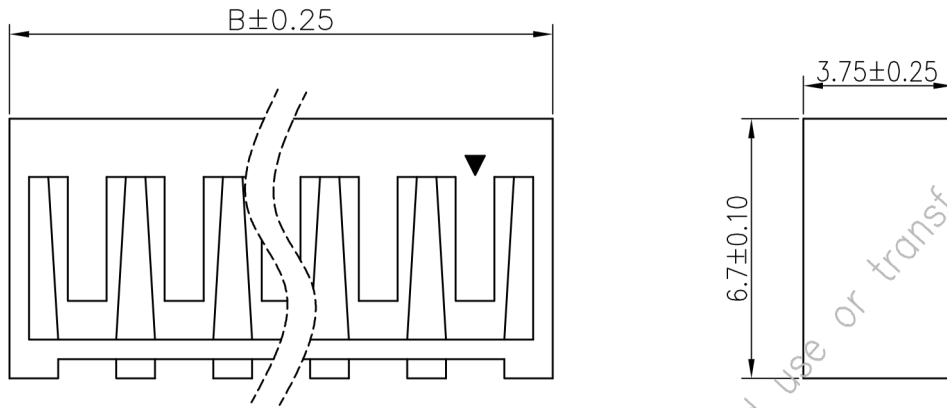
ELECTRICAL DATA

CURRENT RATING	: 3A
INSULATION RESISTANCE	: 1000M OHMS MIN
DIELECTRIC WITHSTANDING	: 800VAC For 1minute
CONTACT RESISTANCE	: 10m OHMS MAX
VOLTAGE RATING	: 250V AC/DC

ENVIRONMENTAL DATA

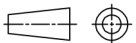
TEMPERATURE RANGE	: -25° TO +85° C
-------------------	------------------

DESCRIPTION: TERMINAL HOUSING 2.50mm PITCH, PLUG TYPE PART NO: P9052PH29-00-X
X=NO. OF WAYS



RECOMMENDED PCB LAYOUT
(PCB TOLERANCE ±0.05)

Projection:



Scale: NTS

Sht. Size: A4

Gen. Tol.: ±0.35mm

ALL DIMENSIONS ARE IN MM.
IF UNLESS OTHERWISE SPECIFIED.



DESCRIPTION: TERMINAL HOUSING 2.50mm PITCH, PLUG TYPE **PART NO:** P9052PH29-00-X
X=NO. OF WAYS

ORDERING INFORMATION

P9052PH29-00-X

NO OF WAYS

NO. OF WAYS	A	B	PART NUMBER
2	2.5	6.5	P9052PH29-00-2
3	5.0	9.00	P9052PH29-00-3
4	7.5	11.50	P9052PH29-00-4
5	10.00	14.00	P9052PH29-00-5
6	12.50	16.50	P9052PH29-00-6
7	15.00	19.00	P9052PH29-00-7
8	17.50	21.50	P9052PH29-00-8
9	20.00	24.00	P9052PH29-00-9
10	22.50	26.50	P9052PH29-00-A
11	25.00	29.00	P9052PH29-00-B
12	27.50	31.50	P9052PH29-00-C
13	30.00	34.00	P9052PH29-00-D
14	32.50	36.50	P9052PH29-00-E
15	35.00	39.00	P9052PH29-00-F
16	37.50	41.50	P9052PH29-00-G

MATES WITH

P9052PT - TERMINAL
CRIMP TERMINAL WIRE SIZE:
22-28 AWG

Projection:



Scale: NTS

Sht. Size: A4

Gen. Tol.: ±0.35mm

ALL DIMENSIONS ARE IN MM.
IF UNLESS OTHERWISE SPECIFIED.