



**DESCRIPTION :** CRIMP TERMINAL FOR 2.54mm PITCH HOUSING, **PART NO:** P9050T00-19  
TIN PLATED, RoHS

RoHS



## PHYSICAL

CONTACT MATERIAL : BRASS, TIN PLATED

## ELECTRICAL DATA:

CONTACT RESISTANCE : 20m OHMS MAX

## MECHANICAL DATA:

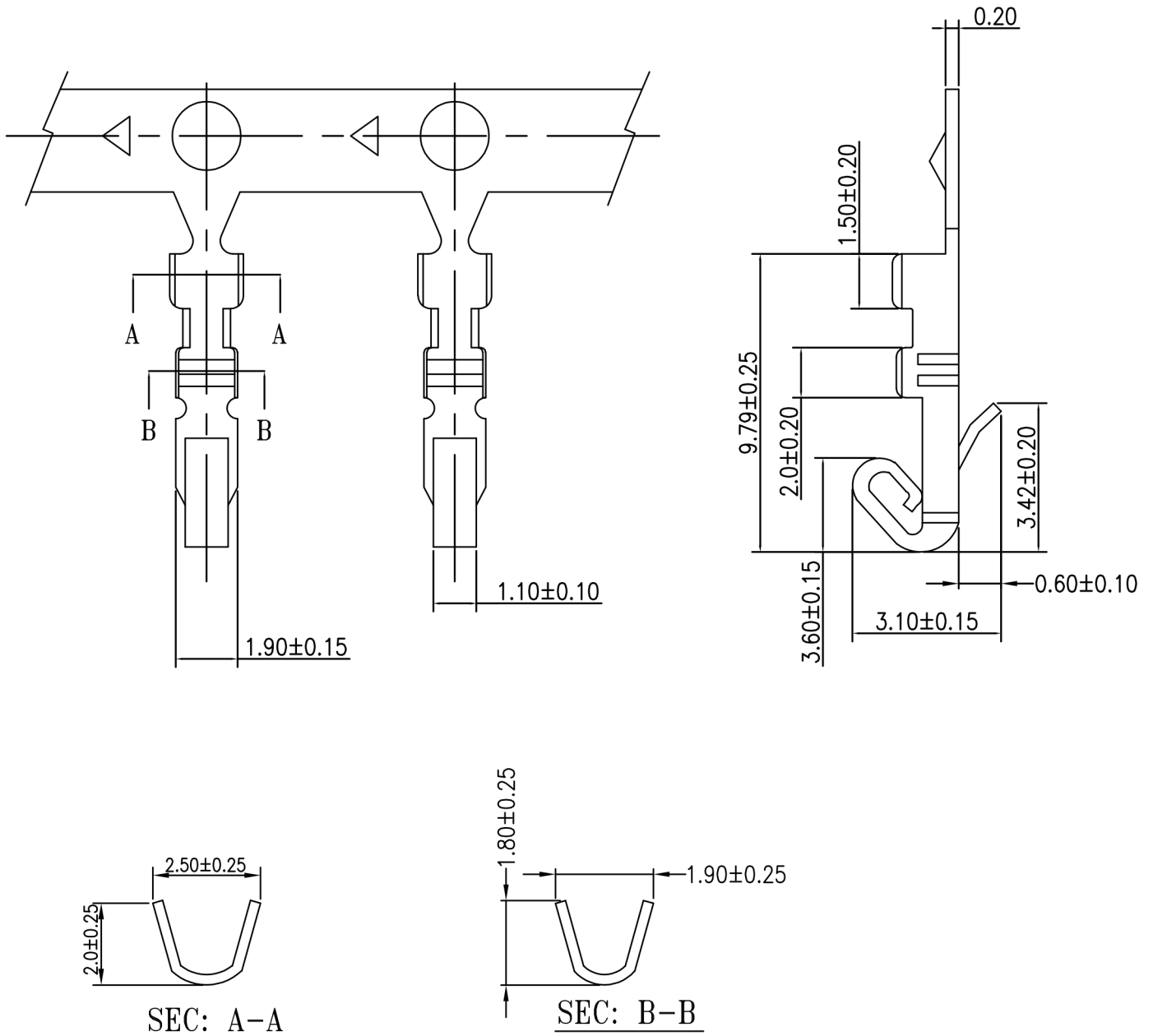
CRIMP TERMINAL WIRE SIZE : 22-28 AWG  
INSULATION OD : 1.57mm MAX

## OTHER FEATURES:

ACCEPTS WITH : P9050H SERIES HOUSING



**DESCRIPTION :** CRIMP TERMINAL FOR 2.54mm PITCH HOUSING, **PART NO:** P9050T00-19  
TIN PLATED, RoHS



Projection:



Scale: NTS

Sht. Size: A4

Gen. Tol.:  $\pm 0.5\text{mm}$   
 $\pm 2'$

ALL DIMENSIONS ARE IN MM.  
IF UNLESS OTHERWISE SPECIFIED.