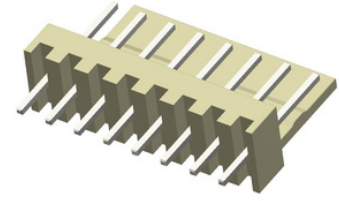




DESCRIPTION : WAFER 5.08mm PITCH WITH RAMP, STRAIGHT

PART NO:P9050S29-19-XX
(X=REFER TABLE)

RoHS



PHYSICAL

MATERIAL

INSULATOR BODY : NYLON 66, UL94V-2

CONTACT : BRASS, TIN PLATED

ELECTRICAL

CURRENT RATING : 4A AC/DC

VOLTAGE RATING : 250V AC/DC

INSULATION RESISTANCE : 1000 M OHMS min

CONTACT RESISTANCE : 10m OHMS max.

DIELECTRIC WITHSTANDING : 1000V AC/minute

ENVIRONMENTAL DATA

TEMPERATURE RANGE : -30°C TO +125°C

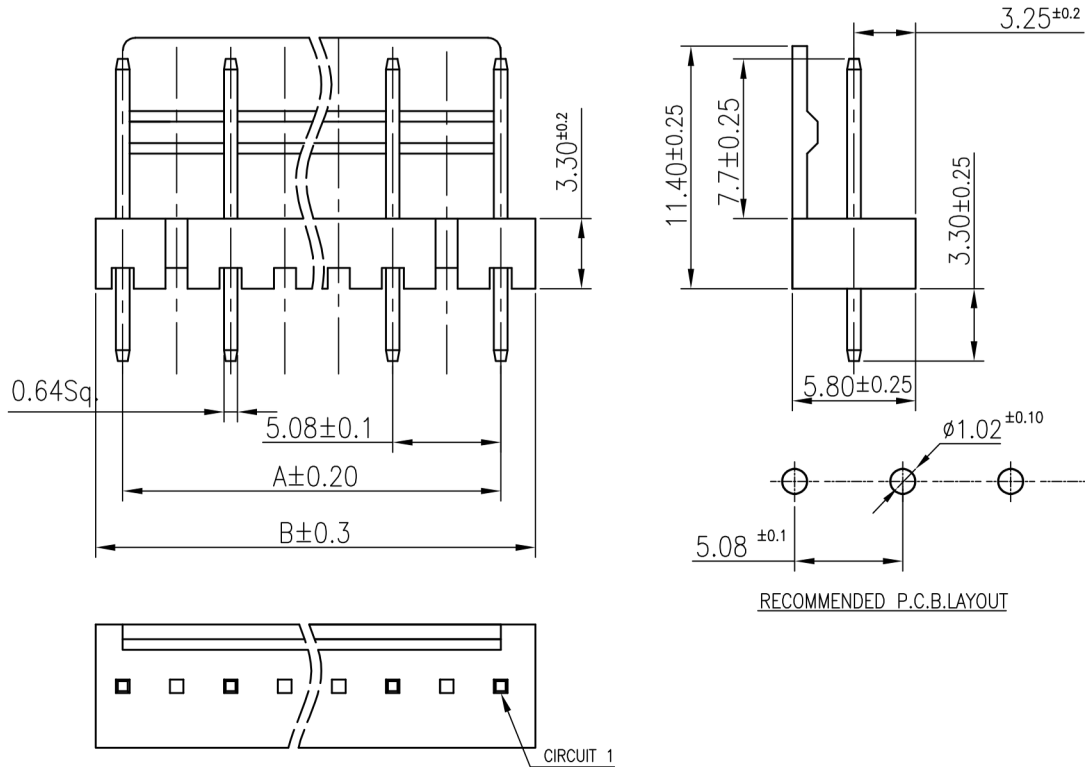
OTHER FEATURES

ASSOCIATED CONNECTORS : P9050T / P9050H SERIES



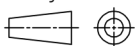
DESCRIPTION : WAFER 5.08mm PITCH WITH RAMP, STRAIGHT

PART NO:P9050S29-19-XX
(X=REFER TABLE)



NO. OF WAYS	DIMENSION	
	A	B
2	5.08	7.62
3	10.16	12.70
4	15.24	17.78
5	20.32	22.86
6	25.40	27.94
7	30.48	33.02
8	35.56	38.10
9	40.64	43.18
11	45.72	48.26

Projection:



Scale: NTS

Sht. Size: A4

Gen. Tol.:±0.35mm

ALL DIMENSIONS ARE IN MM.
IF UNLESS OTHERWISE SPECIFIED.