



DESCRIPTION : CRIMP TERMINAL FOR 4.20mm PITCH MINIFIT HOUSING

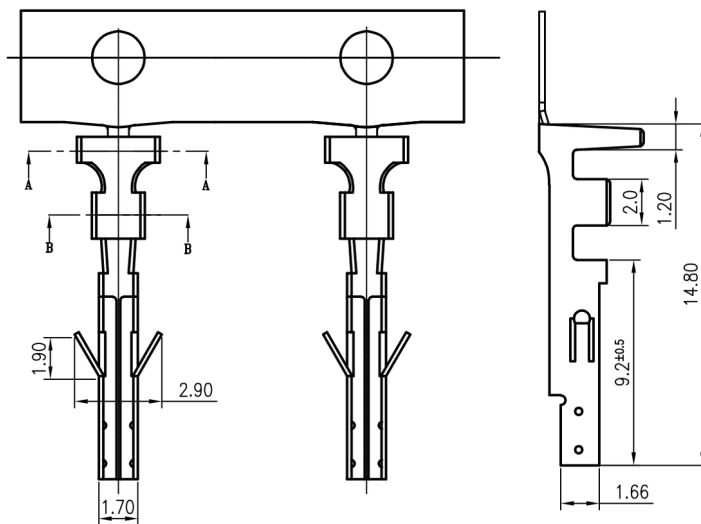
PART NO: P9049T00-19

RoHS

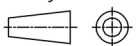


MATERIAL

CONTACT : PHOSPHOR BRONZE, TIN PLATED
 APPLICABLE WIRE : AWG #18- #24(INSULATION OD: 3.10mm MAX)



Projection:



Scale: NTS

Sht. Size: A4

Gen. Tol.: ±0.25mm
±2°

ALL DIMENSIONS ARE IN MM.
IF UNLESS OTHERWISE SPECIFIED.