



PROTECTRON ELECTROMECH (P) LTD

DESCRIPTION : 7.92mm PITCH WAFER, POLARISED, RIGHT ANGLE

PART NO: P9043A29-19-X

RoHS



PHYSICAL DATA

INSULATION

MATERIAL	:	NYLON
FLAMMABILITY	:	UL94V-0
COLOR	:	NATURAL COLOR
CONTACT	:	COPPER ALLOY, TIN PLATED

ELECTRICAL DATA

CURRENT RATING	:	7A
INSULATION RESISTANCE	:	1000M OHMS MIN
DIELECTRIC WITHSTANDING	:	1500V AC/MIN
CONTACT RESISTANCE	:	20m OHMS MAX
VOLTAGE RATING	:	250V AC/DC

ENVIRONMENTAL DATA

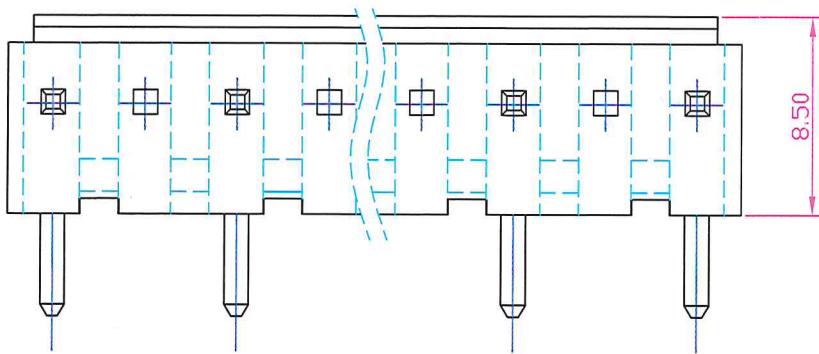
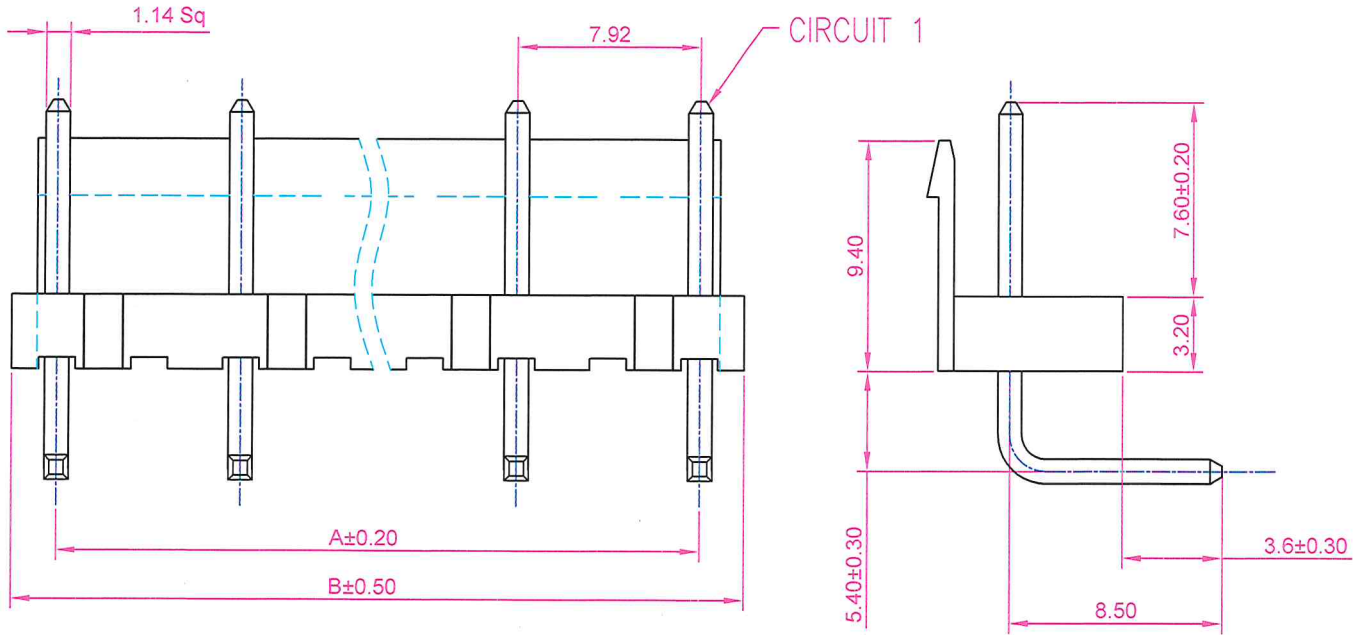
TEMPERATURE RANGE	:	-25° TO +85° C
-------------------	---	----------------



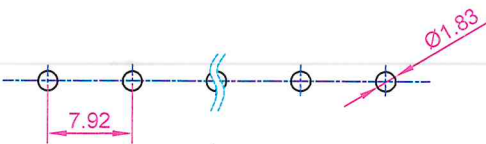
PROTECTRON ELECTROMECH (P) LTD

DESCRIPTION : 7.92mm PITCH WAFER, POLARISED, RIGHT ANGLE

PART NO: P9043A29-19-X



No. OF WAYS	DIMENSIONS	
	A	B
2	7.92	11.88
3	15.84	19.80
4	23.76	27.72
5	31.68	35.64
6	39.60	43.56
7	47.52	51.48
8	55.44	59.40



RECOMMENDED P.C.B. LAYOUT

A	ORIGINAL	SWATHI H	02.02.2021		
REV.	DESCRIPTION		DRN. BY	DATE	CK'ED BY APP'D BY
Projection: 		Scale: NTS	Sht. Size: A4	Gen. Tol.: ±0.35mm	ALL DIMENSIONS ARE IN MM. IF UNLESS OTHERWISE SPECIFIED.

<http://www.protectron.in>
protectron@protectron.in