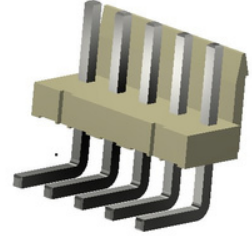




DESCRIPTION : 7.92mm PITCH WAFER, POLARISED, RIGHT ANGLE **PART NO:** P9043A29-19-X

RoHS



PHYSICAL DATA

INSULATION	
MATERIAL	: NYLON
FLAMMABILITY	: UL94V-0
COLOR	: NATURAL COLOR
CONTACT	: COPPER ALLOY, TIN PLATED

ELECTRICAL DATA

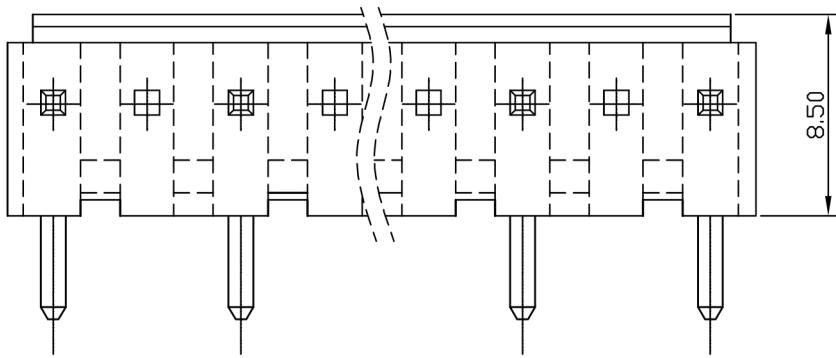
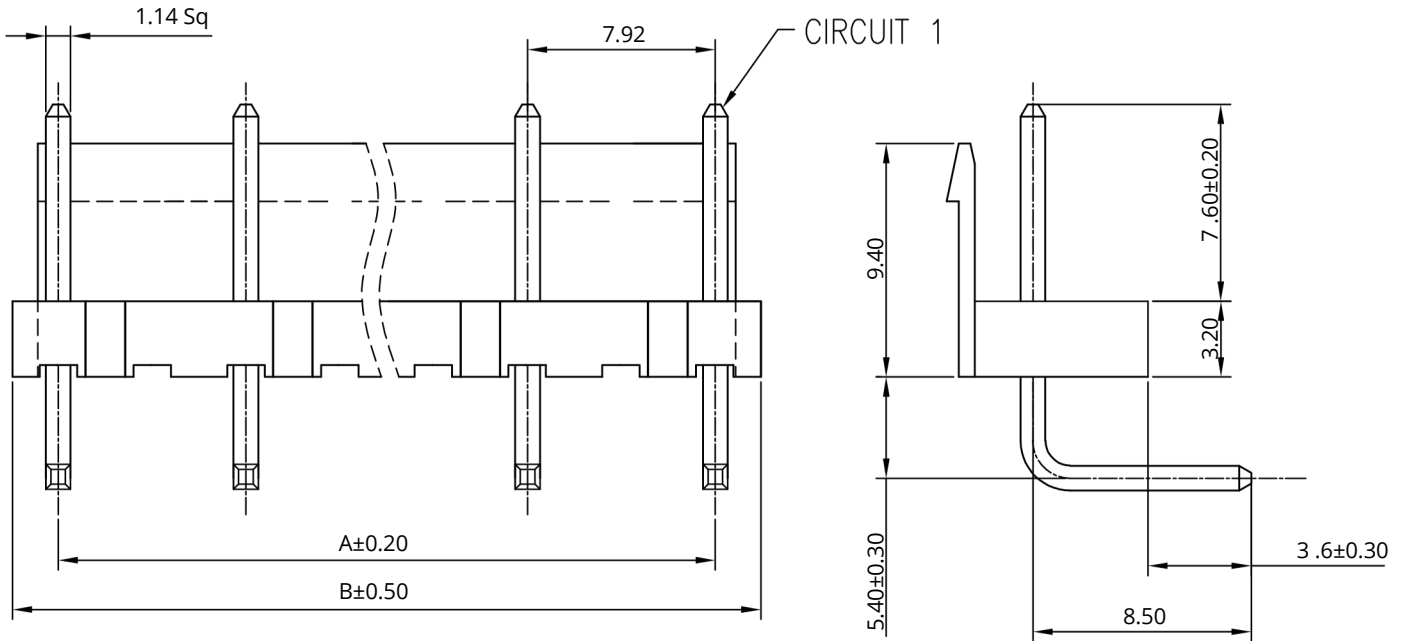
CURRENT RATING	: 7A
INSULATION RESISTANCE	: 1000M OHMS MIN
DIELECTRIC WITHSTANDING	: 1500V AC/MIN
CONTACT RESISTANCE	: 20m OHMS MAX
VOLTAGE RATING	: 250V AC/DC

ENVIRONMENTAL DATA

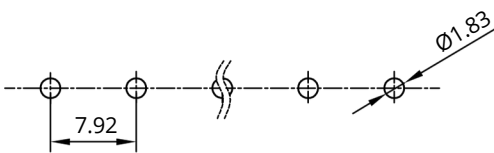
TEMPERATURE RANGE	: -25° TO +85° C
-------------------	------------------



DESCRIPTION : 7.92mm PITCH WAFER, POLARISED, RIGHT ANGLE **PART NO:** P9043A29-19-X



No. OF WAYS	DIMENSIONS	
	A	B
2	7.92	11.88
3	15.84	19.80
4	23.76	27.72
5	31.68	35.64
6	39.60	43.56
7	47.52	51.48
8	55.44	59.40



RECOMMENDED P.C.B. LAYOUT

Projection:



Scale: NTS

Sht. Size: A4

Gen. Tol.: ±0.35mm

ALL DIMENSIONS ARE IN MM.
IF UNLESS OTHERWISE SPECIFIED.