



PROTECTRON ELECTROMECH (P) LTD

DESCRIPTION : PA CONNECTORS 2.0mm PITCH, DUAL ROW, RIGHT
ANGLE POLARISED, RoHS

PART NO: P9022R29-1X-XX
XX= NO.OF CONTACTS

RoHS



PHYSICAL DATA

INSULATION

MATERIAL : PA46
FLAMMABILITY : UL94V-0
CONTACT : BRASS
PACKAGING TYPE : STANDARD PACKING

ELECTRICAL DATA

CURRENT RATING : 3A
VOLTAGE RATING : 250V AC/DC
CONTACT RESISTANCE : 30mΩ MAX
INSULATION RESISTANCE : 1000MΩ MIN
DIELECTRIC WITHSTAND : 1000V AC/MINUTE

ENVIRONMENTAL DATA

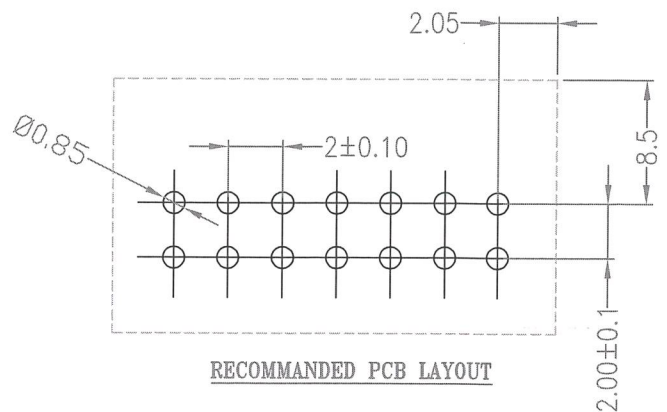
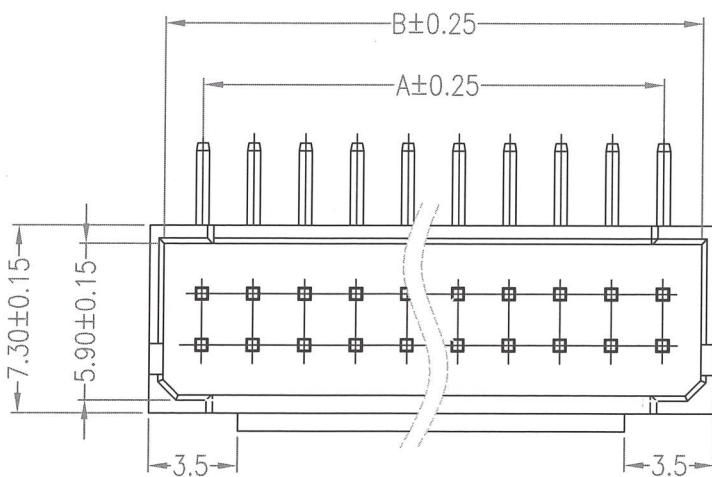
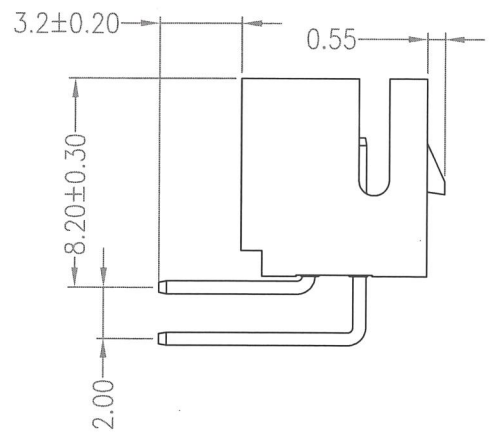
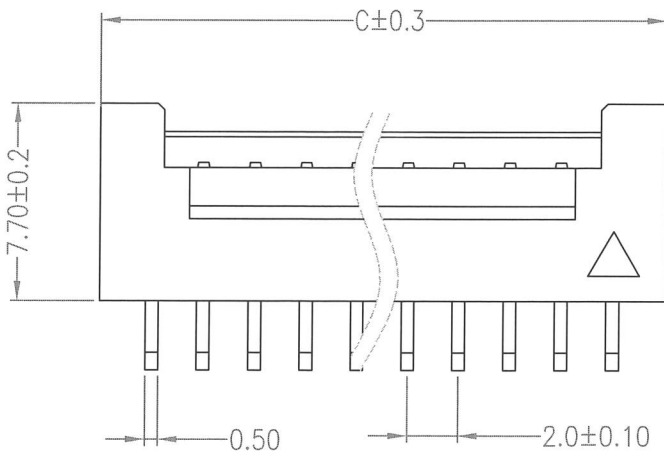
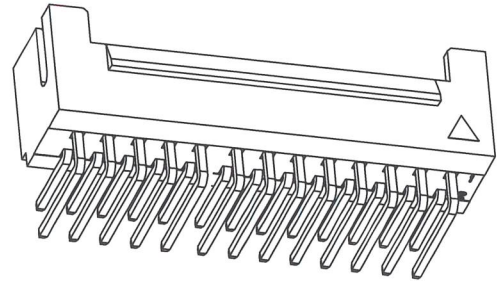
TEMPERATURE RANGE : -25°C ~ +85°C



PROTECTRON ELECTROMECH (P) LTD

DESCRIPTION : PA CONNECTORS 2.0mm PITCH, DUAL ROW, RIGHT ANGLE POLARISED, RoHS

PART NO: P9022R29-1X-XX
XX= NO.OF CONTACTS





PROTECTRON ELECTROMECH (P) LTD

DESCRIPTION : PA CONNECTORS 2.0mm PITCH, DUAL ROW, RIGHT ANGLE POLARISED, RoHS

PART NO: P9022R29-1X-XX
XX= NO.OF CONTACTS

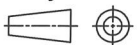
ORDERING INFORMATION & DIMENSION

P9022R29-1X-XX

PART NO		DIMENSION		
TIN PLATED	GOLD PLATED	A	B	C
P9022R29-19-04	P9022R29-12-04	2.00	4.85	5.95
P9022R29-19-06	P9022R29-12-06	4.00	6.85	7.95
P9022R29-19-08	P9022R29-12-08	6.00	8.85	9.95
P9022R29-19-10	P9022R29-12-10	8.00	10.85	11.95
P9022R29-19-12	P9022R29-12-12	10.00	12.85	13.95
P9022R29-19-14	P9022R29-12-14	12.00	14.85	15.95
P9022R29-19-16	P9022R29-12-16	14.00	16.85	17.95
P9022R29-19-18	P9022R29-12-18	16.00	18.85	19.95
P9022R29-19-20	P9022R29-12-20	18.00	20.85	21.95
P9022R29-19-22	P9022R29-12-22	20.00	22.85	23.95
P9022R29-19-24	P9022R29-12-24	22.00	24.85	25.95
P9022R29-19-26	P9022R29-12-26	24.00	26.85	27.95
P9022R29-19-28	P9022R29-12-28	26.00	28.85	29.95
P9022R29-19-30	P9022R29-12-30	28.00	30.85	31.95
P9022R29-19-32	P9022R29-12-32	30.00	32.85	33.95
P9022R29-19-34	P9022R29-12-34	32.00	34.85	35.95
P9022R29-19-36	P9022R29-12-36	34.00	36.85	37.95
P9022R29-19-38	P9022R29-12-38	36.00	38.85	39.95
P9022R29-19-40	P9022R29-12-40	38.00	40.85	41.95

A1	DATASHEET UPDATED	SWATHI H	05.01.2021	<i>Swathi H</i>	<i>Swathi H</i>
A	ORIGINAL	SUPREETA	22.11.2016		
REV.	DESCRIPTION	DRN. BY	DATE	CK'ED BY	APP'D BY

Projection:



Scale: NTS

Sht. Size: A4

Gen. Tol.: ±0.35mm
±2°

ALL DIMENSIONS ARE IN MM.
IF UNLESS OTHERWISE SPECIFIED.