



**DESCRIPTION:** CLIP (SPECIAL) FOR DIA 0.95 TO 1.05mm  
FEMALE CONNECTOR

**PART NO:** P8202-19-32

RoHS

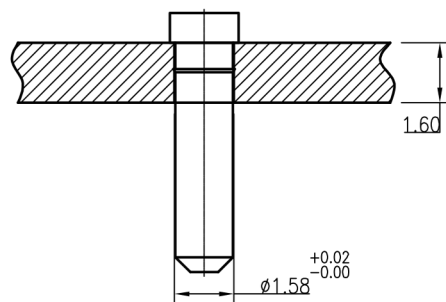
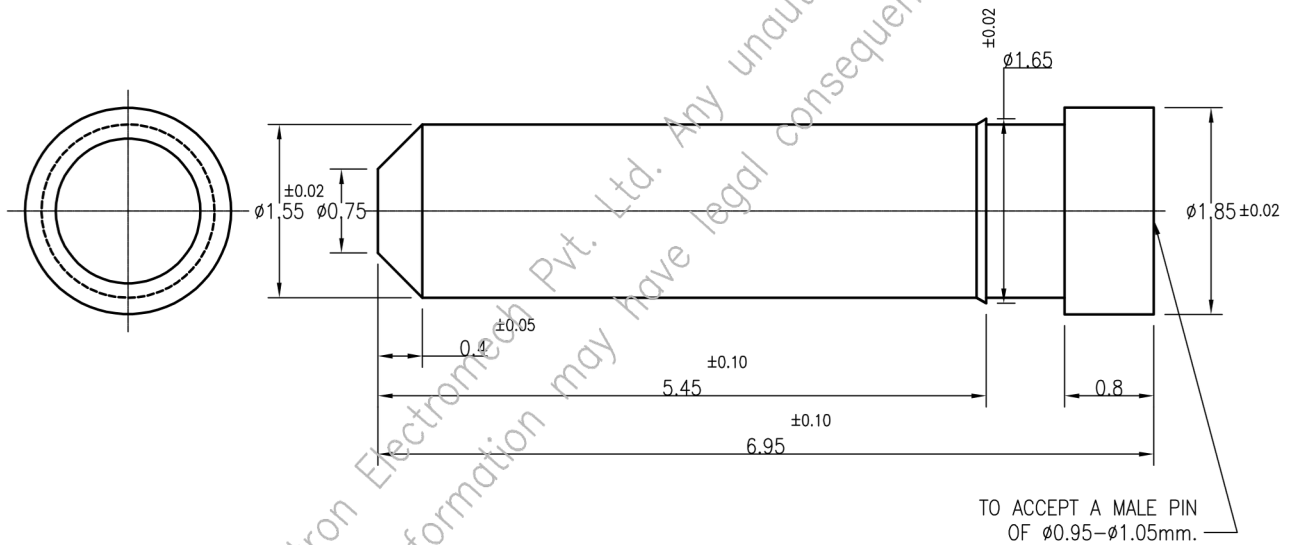


**MECHANICAL DATA:**

SLEEVE : BRASS, TIN PLATED  
CLIP : BERYLLIUM COPPER, GOLD PLATED

**MECHANICAL DATA:**

TEST WITH  $\phi 1.0\text{mm}$  STEEL PIN  
INSERTION FORCE : 1.8N Max.  
EXTRACTION FORCE : 0.5N Min.  
LIFE CYCLE : 500 CYCLES Min.



RECOMMENDED PCB LAYOUT