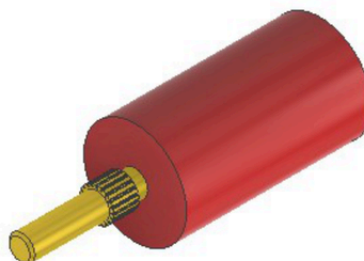




**DESCRIPTION :** 1mm PCB MOUNTING INSULATED,  
L=4.5mm

**PART NO:** P8101-1X-1X-1  
1st X= COLOUR  
2nd X= PLATING

RoHS



### PHYSICAL DATA

#### MATERIAL

INSULATOR BODY : POLYPROPYLENE  
CONTACT : BRASS  
FINISH : REFER TABLE  
PACKING TYPE : BULK PACKING

### ELECTRICAL DATA

CONTACT RESISTANCE : 5m OHMS MAX  
INSULATION RESISTANCE : 1000m OHMS MIN  
DIELECTRIC WITHSTANDING : 500V AC MIN

### MECHINICAL DATA

INSERTION FORCE : 2.2Kg MAX  
EXTRACTION FORCE : 0.18kg min  
MOUNTING HOLE DIA IN PCB :  $\phi$ 1.3mm

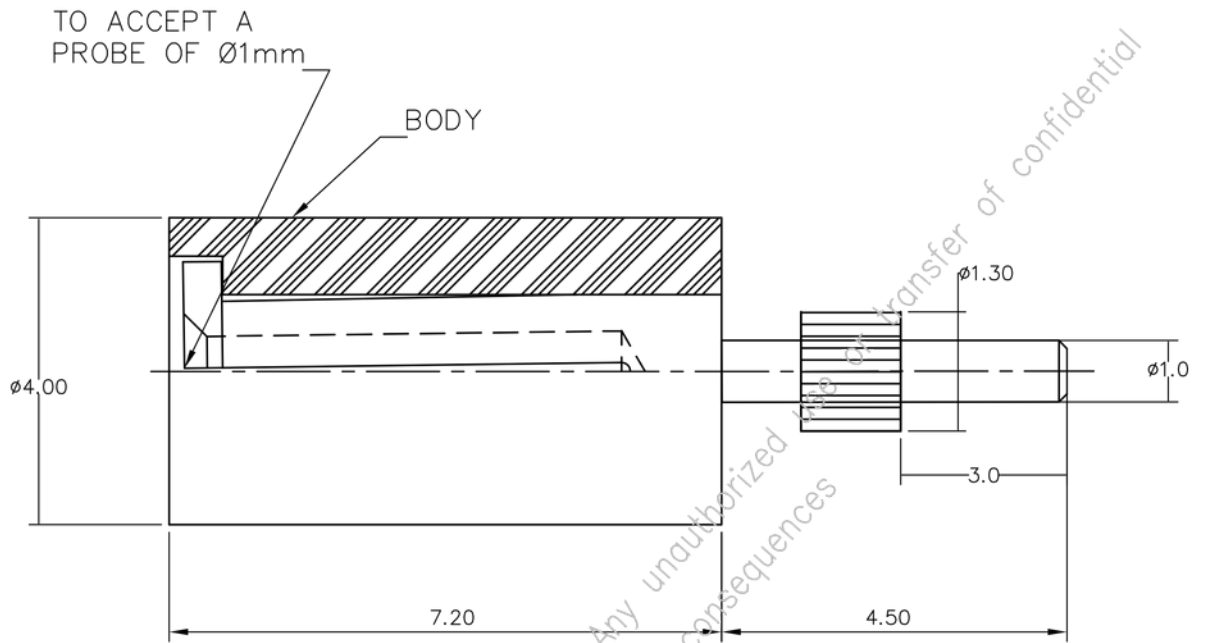
### ENVIRONMENTAL DATA

TEMPERATURE RANGE : -25°C TO +70°C



**DESCRIPTION :** 1mm PCB MOUNTING INSULATED,  
L=4.5mm

**PART NO:** P8101-1X-1X-1  
1st X= COLOUR  
2nd X= PLATING



**ORDERING INFORMATION**

**P8101-1X-1X-1**

**MATING CONNECTORS**  
P8003, P8005,  
P8005, P8006,

TYPE OF COLOUR	
BLACK	0
BROWN	1
RED	2
ORANGE	3
YELLOW	4
GREEN	5
BLUE	6
VIOLET	7
GREY	8
WHITE	9

PLATING	X
SILVER PLATING	1
GOLD PLATING	2

Projection:

Scale: NTS

Sht. Size: A4

Gen. Tol.: ±0.5mm  
±2'

ALL DIMENSIONS ARE IN MM.  
IF UNLESS OTHERWISE SPECIFIED.