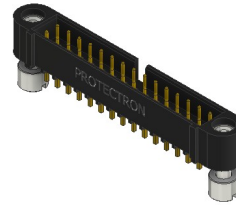


**DESCRIPTION** :2.0mm PITCH MALE CONNECTOR, DUAL ROW  
STRAIGHT, WITH SCREW LOCKING, RoHS

**PART No:**P80A1-XX-A97-J

RoHS



## PHYSICAL DATA

### MATERIAL

INSULATOR BODY	: PPS (POLYPHENYLENE SULFIDE FIBREGLASS FILLED THERMOPLASTIC)
FLAMMABILITY	: UL94V-0
CONTACT AREA	: COPPER ALLOY, NICKEL + 1 $\mu$ GOLD PLATED
CONTACT TAIL	: COPPER ALLOY, NICKEL + 0.1 $\mu$ GOLD PLATED
FIXING HARDWARE	: JACKSCREW (STAINLESS STEEL)

### ELECTRICAL DATA

CONTACTS	: 3A MAX. @25°C, 2.2A MAX. @85°C
WORKING VOLTAGE	: TESTED AT 800V DC
PROOF VOLTAGE	: TESTED AT 1200V DC
CONTACT RESISTANCE	: 10m $\Omega$ MAX
INSULATION RESISTANCE	: 1000M $\Omega$ MIN

### MECHANICAL DATA

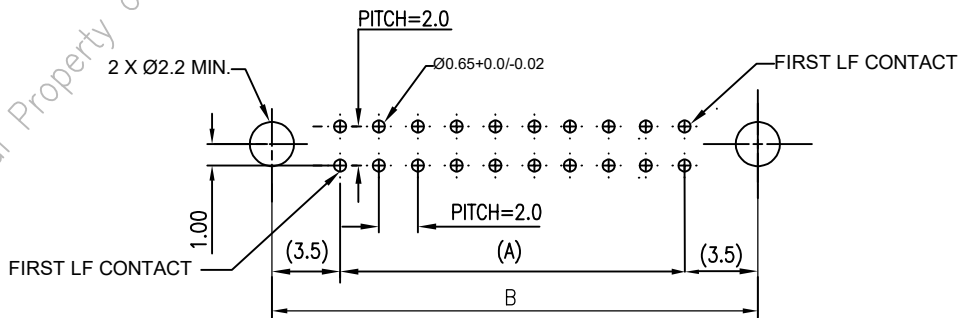
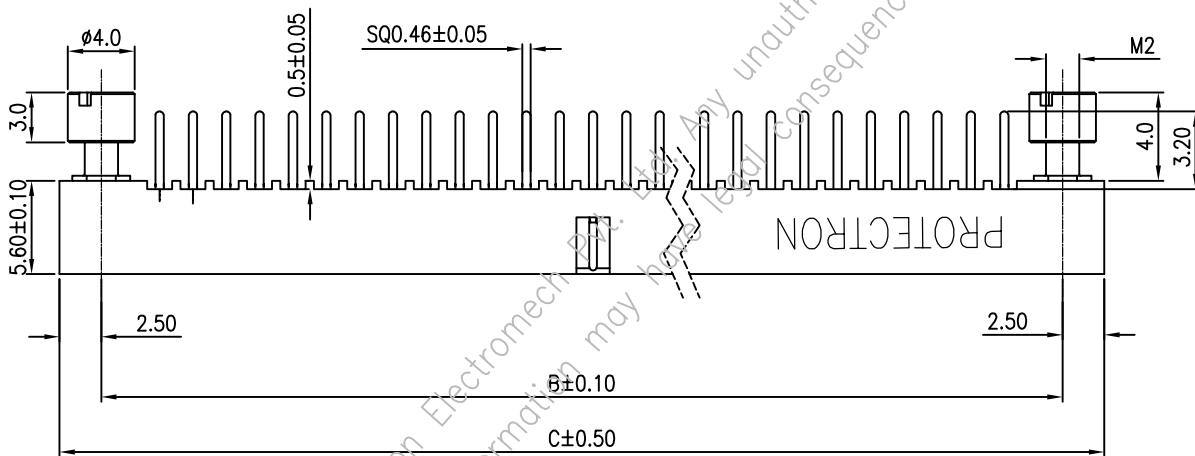
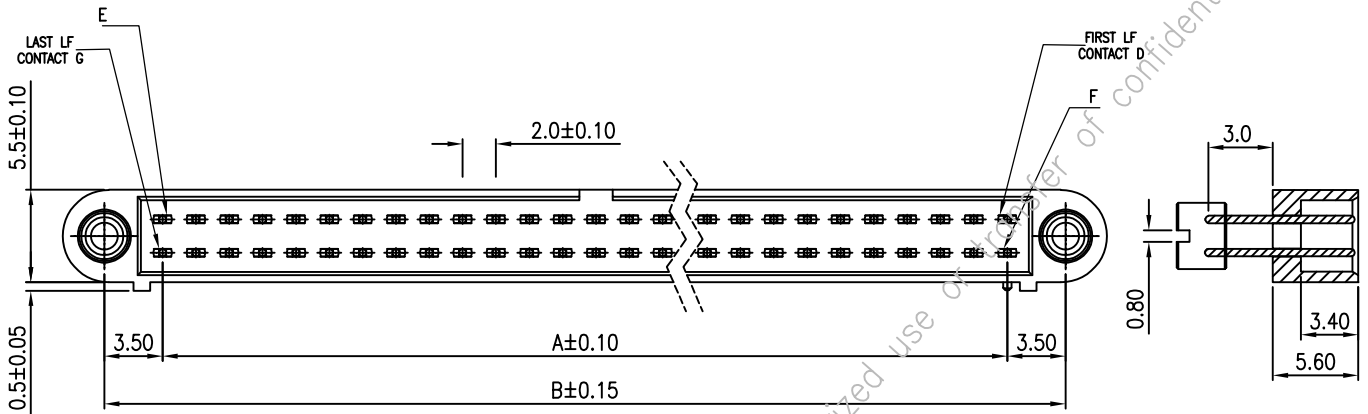
MECHANICAL LIFE CYCLE	: 500 CYCLES MIN.
RETENTION FORCE	: 0.2N MIN/CONTACT
INSERTION FORCE	: 2N MAX/CONTACT

### ENVIRONMENTAL DATA

TEMPERATURE RANGE	: -60°C TO +260°C
TEMPERATURE RANGE	: 0.75mm, 10g RMS 5 HOURS LONG RANDOM WITH SUPERIMPOSED SINUSOID.NO INTERMITTENCE MEASURED WHEN USING AN H.S.L.I( HIGH SPEED LOGIC INTERRUPT) DETECTOR WITH A TRIP THRESHOLD OF 2nsec.
SHOCK SEVERITY	: 100g FOR 6msec
SOLVENT RESISTANCE	: HcFc 141 bMGX (ATOCHEM) SOLVENT
SALT SPRAY TEST	: 96 HOURS
HUMIDITY TEST	: 56 DAYS @ 90% HUMIDITY

**DESCRIPTION :** 2.0mm PITCH MALE CONNECTOR, DUAL ROW  
STRAIGHT, WITH SCREW LOCKING, RoHS

**PART No:** P80A1-XX-A97-J





**DESCRIPTION : 2.0mm PITCH MALE CONNECTOR, DUAL ROW  
STRAIGHT, WITH SCREW LOCKING, RoHS**

**PART No: P80A1-XX-A97-J**

NO. OF CONTACT	DIMENSIONS		
	A	B	C
4	2	9	14
6	4	11	16
8	6	13	18
10	8	15	20
12	10	17	22
14	12	19	24
16	14	21	26
18	16	23	28
20	18	25	30
22	20	27	32
24	22	29	34
26	24	31	36
28	26	33	38
30	28	35	40
32	30	37	42
34	32	39	44
36	34	41	46
38	36	43	48
40	38	45	50
42	40	47	52
44	42	49	54
46	44	51	56
48	46	53	58
50	48	55	60
52	50	57	62
54	52	59	64
56	54	61	66
58	56	63	68
60	58	65	70

NO. OF CONTACT	LF CONTACTS REFERENCE MARK NUMBER			
	D	E	F	G
4	1	2	3	4
6	1	3	4	6
8	1	4	5	8
10	1	5	6	10
12	1	6	7	12
14	1	7	8	14
16	1	8	9	16
18	1	9	10	18
20	1	10	11	20
22	1	11	12	22
24	1	12	13	24
26	1	13	14	26
28	1	14	15	28
30	1	15	16	30
32	1	16	17	32
34	1	17	18	34
36	1	18	19	36
38	1	19	20	38
40	1	20	21	40
42	1	21	22	42
44	1	22	23	44
46	1	23	24	46
48	1	24	25	48
50	1	25	26	50
52	1	26	27	52
54	1	27	28	54
56	1	28	29	56
58	1	29	30	58
60	1	30	31	60

**MATES WITH  
P808FC-XX-1A**

**ORDERING INFORMATION  
P80A1-XX-A97-J**

NO OF CONTACTS  
(04-60)