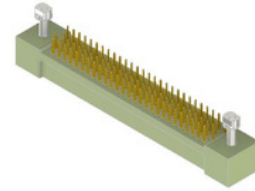




**DESCRIPTION :** 1.9mm PITCH FEMALE CONNECTOR , 4 ROW  
RoHS

**PART NO:** P8094FC-110-1A

RoHS



**PHYSICAL DATA**

- INSULATOR BODY : PPS ( POLYPHENYLENE SULFIDE FIBREGLASS FILLED THERMOPLASTIC)
- FLAMMABILITY : UL94V-0
- OUTER SHELL : COPPER ALLOY, NICKEL + 0.25 $\mu$  GOLD PLATED
- INNER CLIP : BeCu 6 FINGER CLIP, NICKEL + 1.27 $\mu$  GOLD PLATED

**FIXING HARDWARE**

- GUIDE PINS : STAINLESS STEEL

**ELECTRICAL DATA**

- CONTACTS : 3A MAX.
- TEST VOLTAGE : 750V, RMS, 60Hz @ SEA LEVEL AS PER EIA-364-20 METHOD-A  
250V, RMS, 60Hz @ 70,000 FEET AS PER EIA-364-20 METHOD-A
- CONTACT RESISTANCE : 0.015 $\Omega$  MAX (INTERFACE MEASUREMENT) @ 3AMPS AS PER EIA-364-06
- INSULATION RESISTANCE : 5000M $\Omega$  MIN @ 500VDC AS PER EIA-364-20.

**MECHANICAL DATA**

- PIN INSERTION FORCE : 0.071Kg
- MECHANICAL LIFE CYCLE : 500 CYCLES MIN.

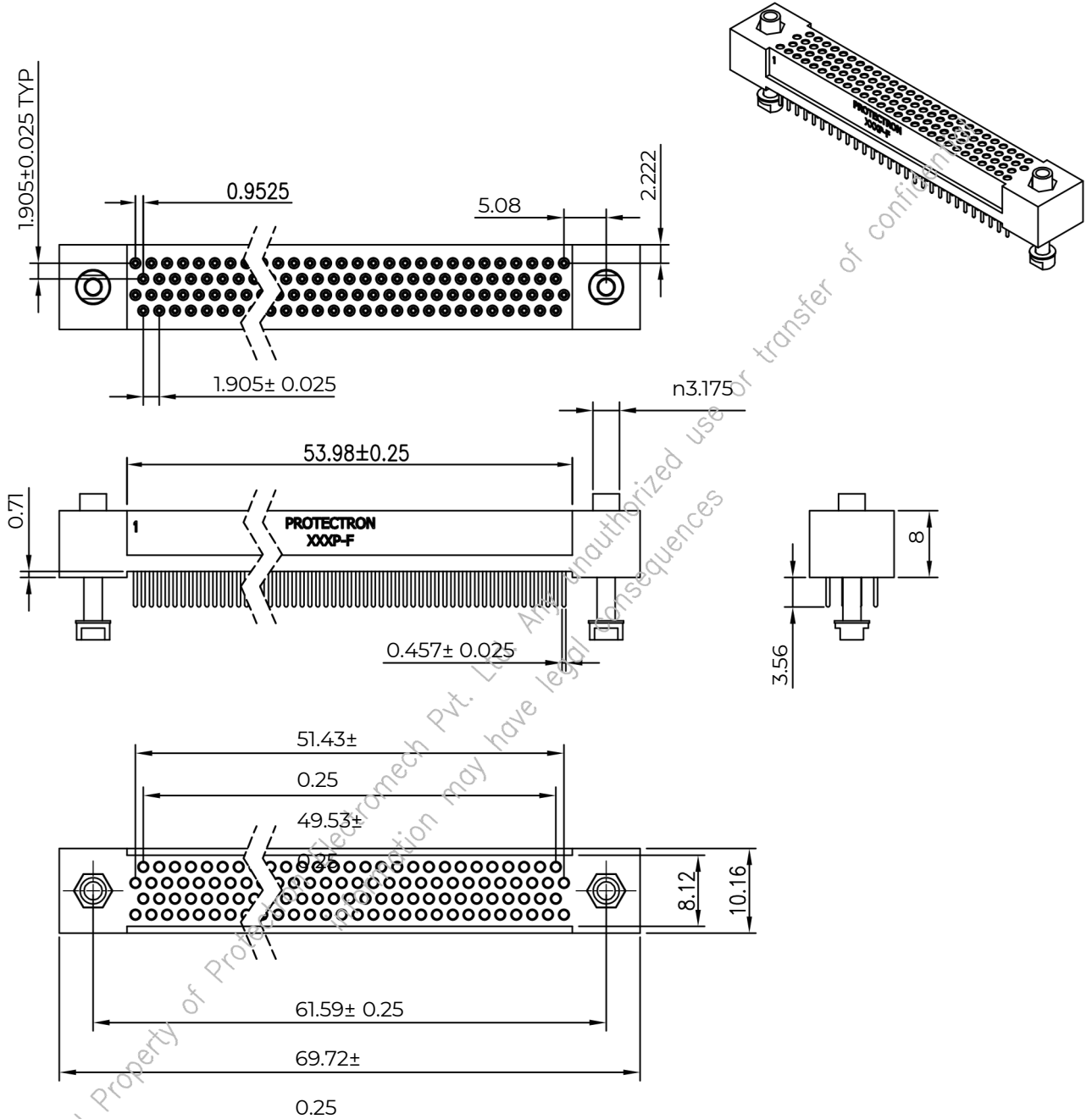
**ENVIRONMENTAL DATA**

- OPERATING TEMPERATURE : -65°C TO +125°C
- VIBRATION SEVERITY : MATED CONNECTORS, TEST CONDITION III AS PER EIA-364-28
- SHOCK SEVERITY : MATED CONNECTORS, TEST CONDITION G AS PER EIA-364-27
- SOLVENT RESISTANCE : HcFc 141 bMGX (ATOCEM) SOLVENT
- SALT SPRAY TEST : MATED CONNECTORS, TEST CONDITION B AS PER EIA-364-26
- HUMIDITY TEST : MATED CONNECTORS TESTED AS PER EIA-364-31, TYPE II (EXCEPT STEPS 7A AND 7B)
- TEMPERATURE CYCLING : MATED CONNECTORS,TEST CONDITION-A
- SIZES 50+ : UPON ENGAGEMENT, CENTER AREA OF MATING FACES MAY REMAIN OPEN 0.254-0.635mm DUE TO SLIGHT FLEXING OF MOLDING. VIBRATION OR SHOCK SHOULD PROVIDE COMPLETE CLOSURE.
- SOLDERABILITY : TERMINALS(EXCEPT WIRE WRAP, CRIMP AND STACKABLES) TESTED IN ACCORDANCE WITH MIL-STD-202, METHOD 208



**DESCRIPTION :** 1.9mm PITCH FEMALE CONNECTOR , 4 ROW  
RoHS

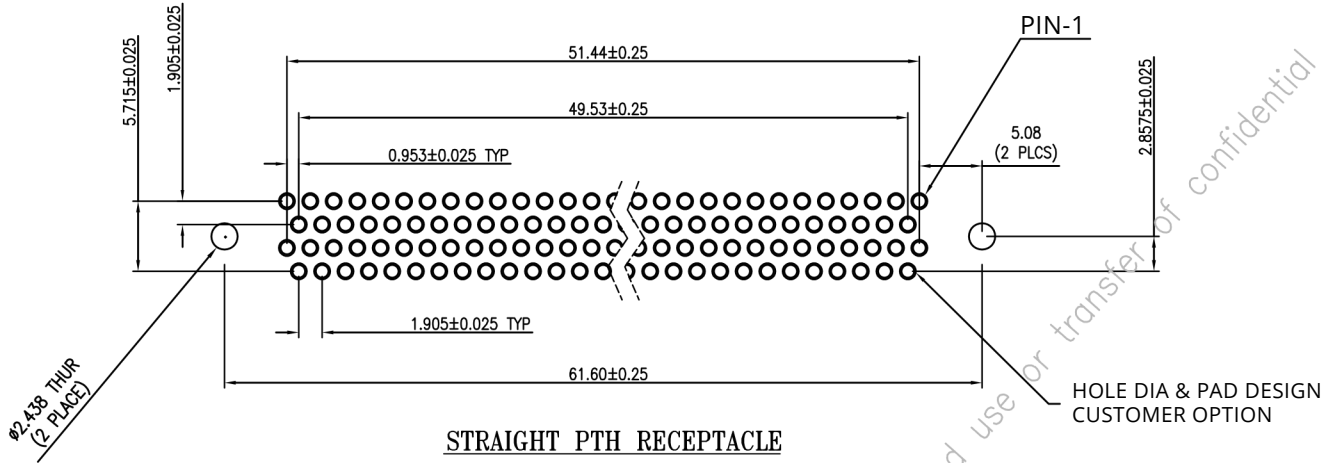
**PART NO:** P8094FC-110-1A





**DESCRIPTION :** 1.9mm PITCH FEMALE CONNECTOR , 4 ROW  
RoHS

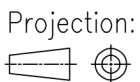
**PART NO:** P8094FC-110-1A



**STRAIGHT PTH RECEPTACLE  
P.C.B LAYOUT VIEWED FROM COMPONENT SIDE**

NO OF CONTACTS	CONTACT ID
110	

**MATES WITH  
P8094SM-110-1A**



Scale: NTS

Sht. Size: A4

Gen. Tol.: ±0.50mm

ALL DIMENSIONS ARE IN MM.  
IF UNLESS OTHERWISE SPECIFIED.