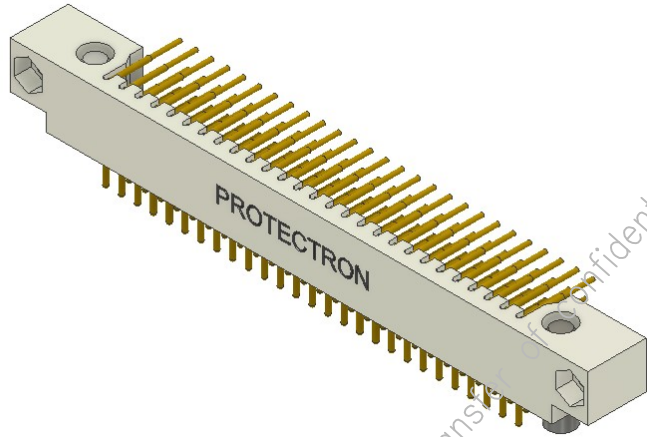




**DESCRIPTION :** 2.0mm PITCH MALE CONNECTOR 3ROW  
RIGHT ANGLE, RoHS

**PART NO:** P8093SM-XXX-1A

RoHS



**PHYSICAL DATA**

INSULATOR BODY : PPS ( POLYPHENYLENE SULFIDE FIBREGLASS FILLED THERMOPLASTIC)  
 FLAMMABILITY : UL94V-0  
 OUTER SHELL : COPPER ALLOY, NICKEL + 0.25µ GOLD PLATED

**FIXING HARDWARE**

GUIDE PINS : STAINLESS STEEL

**ELECTRICAL DATA**

CONTACTS : 3A MAX.  
 TEST VOLTAGE : 750V, RMS, 60Hz @ SEA LEVEL AS PER EIA-364-20 METHOD-AA  
 : 250V, RMS, 60Hz @ 70,000 FEET AS PER EIA-364-20 METHOD-A  
 CONTACT RESISTANCE : 0.015Ω MAX (INTERFACE MEASUREMENT) @ 3AMPS AS PER EIA-364-06  
 INSULATION RESISTANCE : 5000MΩ MIN @ 500VDC AS PER EIA-364-20.

**MECHANICAL DATA**

PIN INSERTION FORCE : 0.071Kg  
 MECHANICAL LIFE CYCLE : 500 CYCLES MIN.

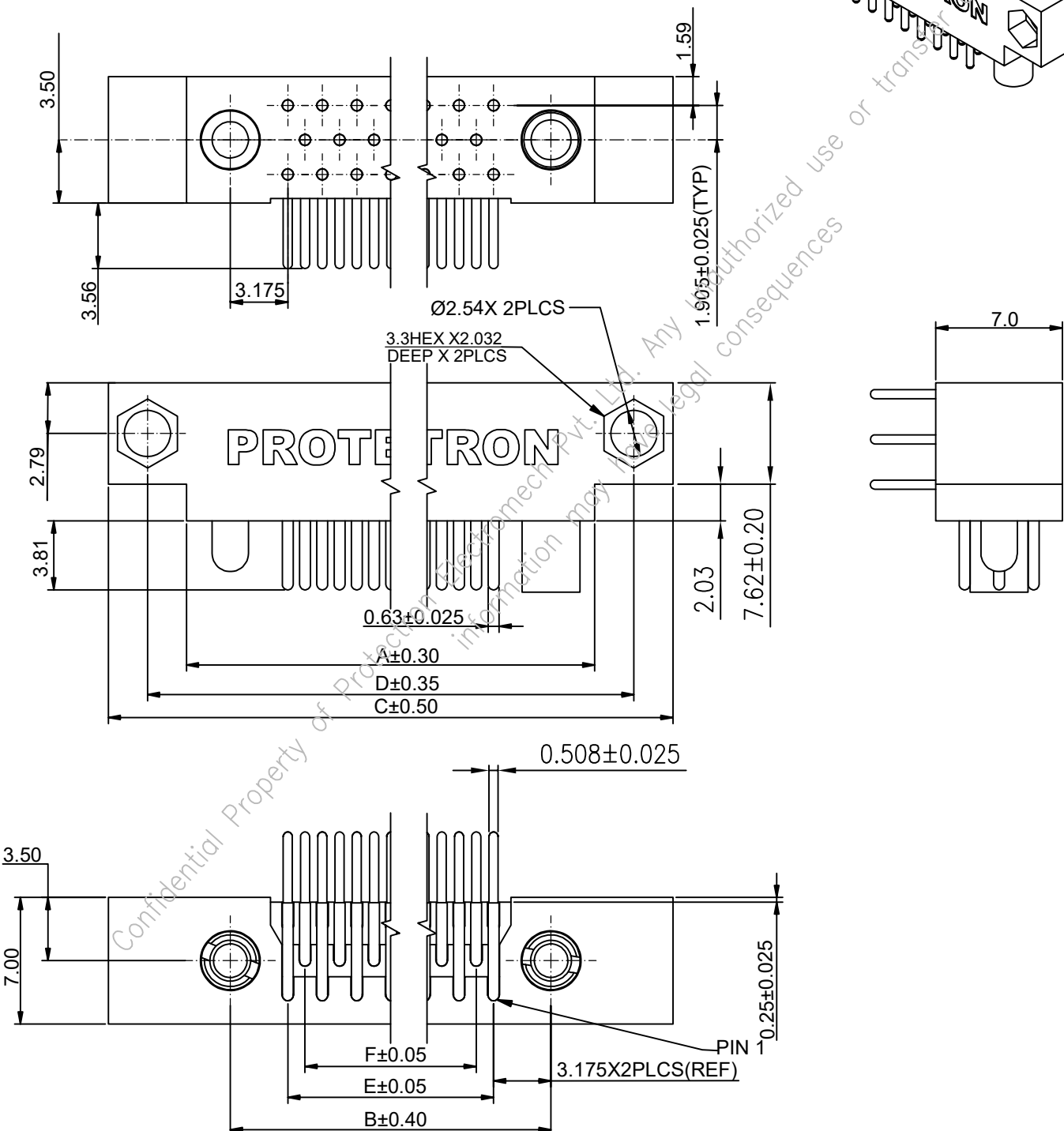
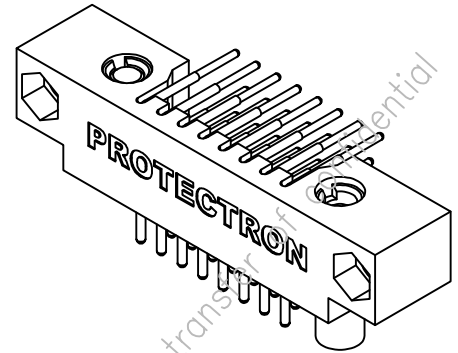
**ENVIRONMENTAL DATA**

OPERATING TEMPERATURE : -65~C TO +125~C  
 VIBRATION SEVERITY : MATED CONNECTORS, TEST CONDITION III AS PER EIA-364-28  
 SHOCK SEVERITY : MATED CONNECTORS, TEST CONDITION G AS PER EIA-364-27  
 SOLVENT RESISTANCE : HcFc 141 bMGX (ATOCEM) SOLVENT  
 SALT SPRAY TEST : MATED CONNECTORS, TEST CONDITION B AS PER EIA-364-26  
 HUMIDITY TEST : MATED CONNECTORS TESTED AS PER EIA-364-31, TYPE II (EXCEPT STEPS 7A AND 7B)  
 THERMAL SHOCK : TESTED TO THE TEMPERATURE EXTREMES OF EIA-364-32, TEST CONDITION-A  
 SIZES 50+ : UPON ENGAGEMENT, CENTER AREA OF MATING FACES MAY REMAIN OPEN 0.254-0.635mm DUE TO SLIGHT FLEXING OF MOLDING. VIBRATION OR SHOCK SHOULD PROVIDE COMPLETE CLOSURE.



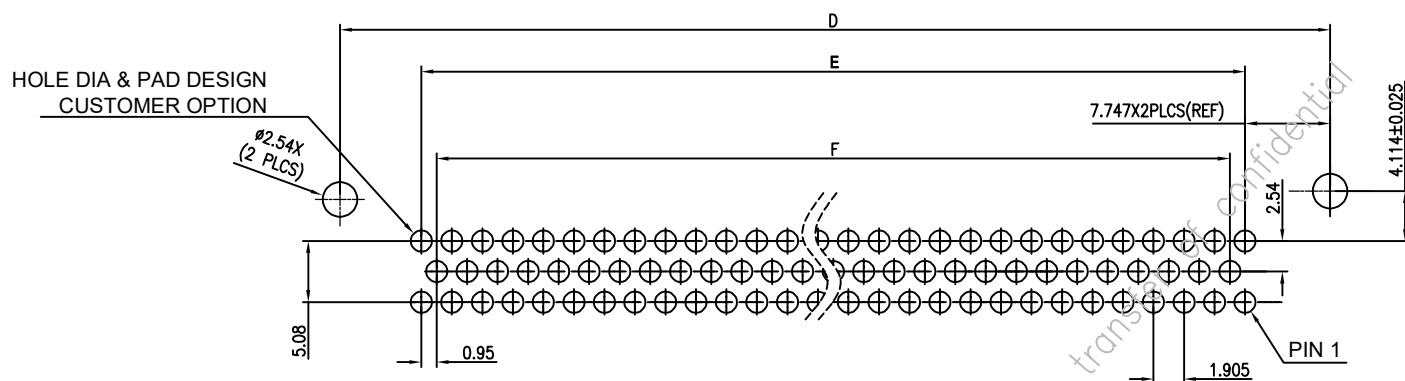
**DESCRIPTION :** 2.0mm PITCH MALE CONNECTOR 3ROW  
RIGHT ANGLE, RoHS

**PART NO:** P8093SM-XXX-1A



**DESCRIPTION : 2.0mm PITCH MALE CONNECTOR 3ROW  
 RIGHT ANGLE, RoHS**

**PART NO: P8093SM-XXX-1A**



P.C.B LAYOUT VIEWED FROM COMPONENT SIDE

NO OF CONTACTS						
	A	B	C	D	E	F
11	16.89	12.06	25.52	21.20	5.71	3.81
23	24.51	19.68	33.14	28.82	13.33	11.43
35	32.13	27.30	40.76	36.44	20.95	19.05
47	39.75	34.92	48.38	44.06	28.57	26.67
59	47.37	42.54	53.00	51.68	36.19	34.29
71	54.99	50.16	63.62	59.30	43.81	41.91
80	60.70	55.88	69.34	65.02	49.53	47.62
92	68.32	63.50	76.96	72.64	57.15	55.24
104	75.94	71.12	84.58	80.26	64.77	62.86
122	87.37	82.55	96.01	91.69	76.20	74.29
140	98.80	93.98	107.44	103.12	87.63	85.72
152	106.42	101.6	115.06	110.74	95.25	93.34
182	125.47	120.65	134.11	129.79	114.30	112.39
206	140.71	135.89	149.35	145.03	129.54	127.63



**DESCRIPTION : 2.0mm PITCH MALE CONNECTOR 3ROW  
RIGHT ANGLE, RoHS**

**PART NO: P8093FC-XXX-1A**

NO OF PIN	CONTACT ID	NO OF PIN	CONTACT ID
11		92	
23		104	
35		122	
47		140	
59		152	
71		182	
80		206	

**MATES WITH**  
**P8093FC-XXX-1A**

**ORDERING INFORMATION**  
**P8093SM-XXX-1A**

NO OF CONTACTS  
(011-206)