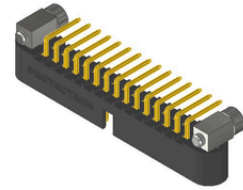




**DESCRIPTION:** 2.0mm PITCH MALE CONNECTOR DUAL ROW RIGHT ANGLE WITH SCREW LOCKING, RoHS

**PART No:** P808R-XX-47-J  
XX=NO. OF CONTACTS

RoHS



**PHYSICAL DATA**

**MATERIAL**

INSULATOR BODY	: PPS (POLYPHENYLENE SULFIDE FIBREGLASS FILLED THERMOPLASTIC)
FLAMMABILITY	: UL94V-0
CONTACT AREA	: COPPER ALLOY / NI+AU 1 $\mu$
CONTACT TAIL	: COPPER ALLOY / NI+AU FLASH 0.1 $\mu$
FIXING HARDWARE	: JACKSCREW (STAINLESS STEEL)

**ELECTRICAL DATA**

ALL CONTACTS	: 3A MAX. @25°C 2.2A MAX. @85°C
WORKING VOLTAGE (SEA LEVEL)	: 800V DC
PROOF VOLTAGE	: 1200V DC
CONTACT RESISTANCE (INITIALLY)	: 10 m $\Omega$ MAX
INSULATION RESISTANCE	: 1000 M $\Omega$ MIN

**MECHANICAL DATA**

MECHANICAL OPERATIONS	: 500 CYCLES MIN. UPTO 2500
CONTACT INSERTION AND WITHDRAWAL FORCE	: 2N MAX/0.2N MIN PER CONTACT

**ENVIRONMENTAL DATA**

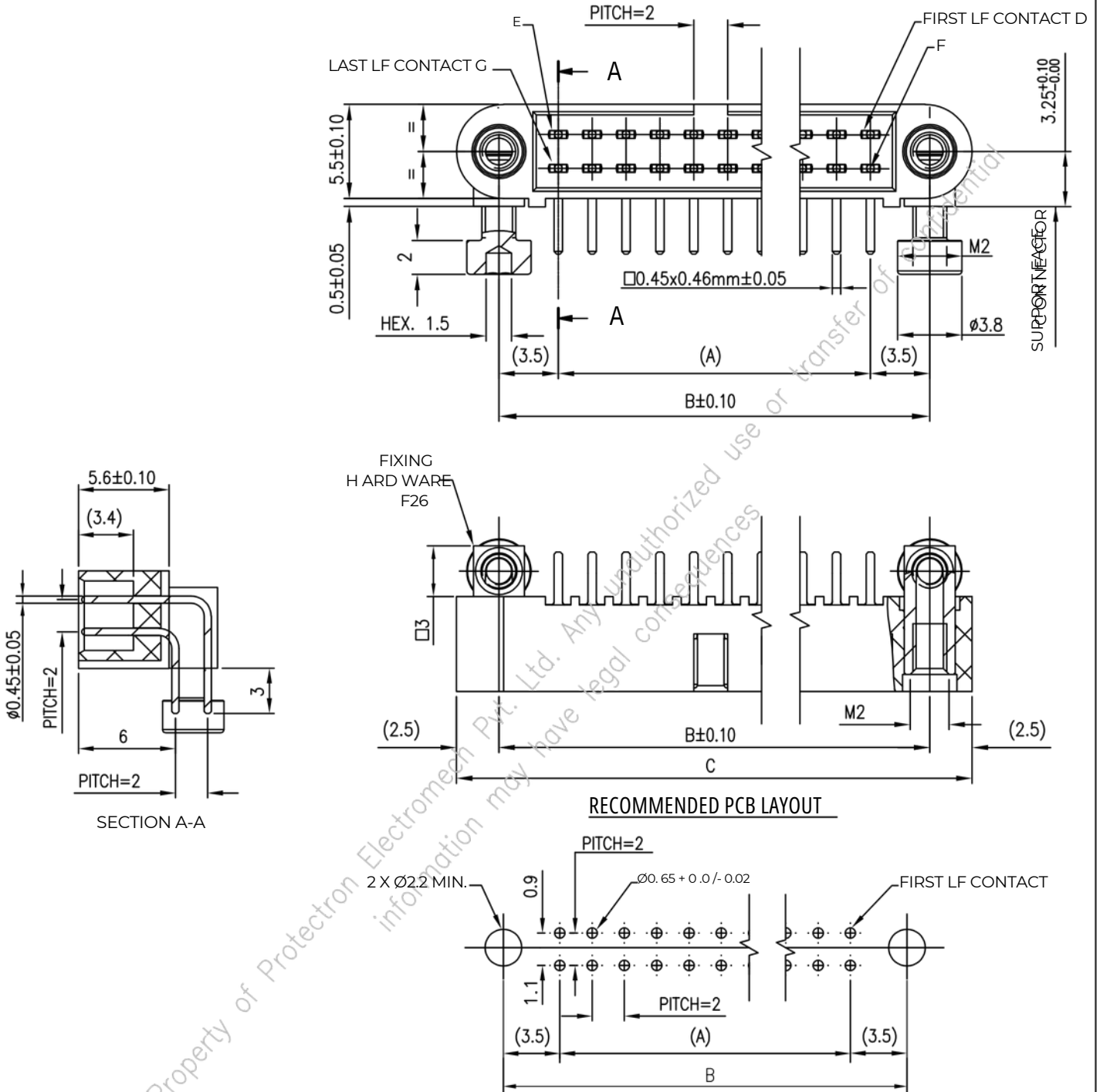
TEMPERATURE RANGE	: FROM -60°C TO +125°C
-------------------	------------------------

**MATING PART NO.**

FEMALE CONNECTOR	: P808FC-XX-1
------------------	---------------

**DESCRIPTION:** 2.0mm PITCH MALE CONNECTOR DUAL ROW RIGHT ANGLE WITH SCREW LOCKING, RoHS

**PART No:** P808R-XX-47-J  
XX=NO. OF CONTACTS



**DESCRIPTION:** 2.0mm PITCH MALE CONNECTOR DUAL ROW RIGHT  
ANGLE WITH SCREW LOCKING,RoHS

**PART No:** P808R-XX-47-J  
XX=NO. OF CONTACTS

LF CONTACTS NUMBER NN	DISTANCE IN MM BETWEEN AXIES		LENGTH IN MM	LF CONTACTS REFERENCE MARK NUMBER			
	A	B		C	D	E	F
4	2	9	14	1	2	3	4
6	4	11	16	1	3	4	6
8	6	13	18	1	4	5	8
10	8	15	20	1	5	6	10
12	10	17	22	1	6	7	12
14	12	19	24	1	7	8	14
16	14	21	26	1	8	9	16
18	16	23	28	1	9	10	18
20	18	25	30	1	10	11	20
22	20	27	32	1	11	12	22
24	22	29	34	1	12	13	24
26	24	31	36	1	13	14	26
28	26	33	38	1	14	15	28
30	28	35	40	1	15	16	30
32	30	37	42	1	16	17	32
34	32	39	44	1	17	18	34
36	34	41	46	1	18	19	36
38	36	43	48	1	19	20	38
40	38	45	50	1	20	21	40
42	40	47	52	1	21	22	42
44	42	49	54	1	22	23	44
46	44	51	56	1	23	24	46
48	46	53	58	1	24	25	48
50	48	55	60	1	25	26	50
52	50	57	62	1	26	27	52
54	52	59	64	1	27	28	54
56	54	61	66	1	28	29	56
58	56	63	68	1	29	30	58
60	58	65	70	1	30	31	60