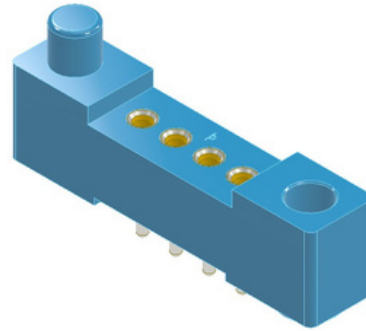




DESCRIPTION : 4 PIN FEMALE CONNECTOR FOR 11.50mm HEIGHT

PART NO:P806JSA04-11A

RoHS



MATERIAL & FINISH :

INSULATOR	: PPS GF 40%, FR GRADE GRAY/BLACK/BLUE COLOR AS PER MIL-M-24519
SLEEVE	: BRASS, MINIMUM 4-6 μ MATTE TIN PLATED OR HIGHER WITH NICKEL
CONTACT CLIP	: BERYLLIUM COPPER, MINIMUM 1.25 μ GOLD PLATED OR HIGHER WITH NICKEL CLASS 2 AS PER ASTM B 488

ELECTRICAL DATA:

CONTACT RESISTANCE	: 0.005 OHMS MAX.
INSULATION RESISTANCE	: 5000 M OHMS .
RATED CURRENT	: 5A CONTINUOUS.

MECHANICAL DATA:

VIBRATION AND SHOCK	: WILL BE TESTED AT CUSTOMER END.
HUMIDITY	: MIL 1344 TEST CONDITION B
SALT SPRAY	: MIL 1344 TEST CONDITION A
INSERTION FORCE	: 113 GRAMS/CONTACT MAX.
EXTRACTION FROCE	: 15 GRAMS/CONTAC MIN.
DURABILITY MATING CYCLES	: 500 CYCLES, METHOD 2016 OF MIL-STD-1344

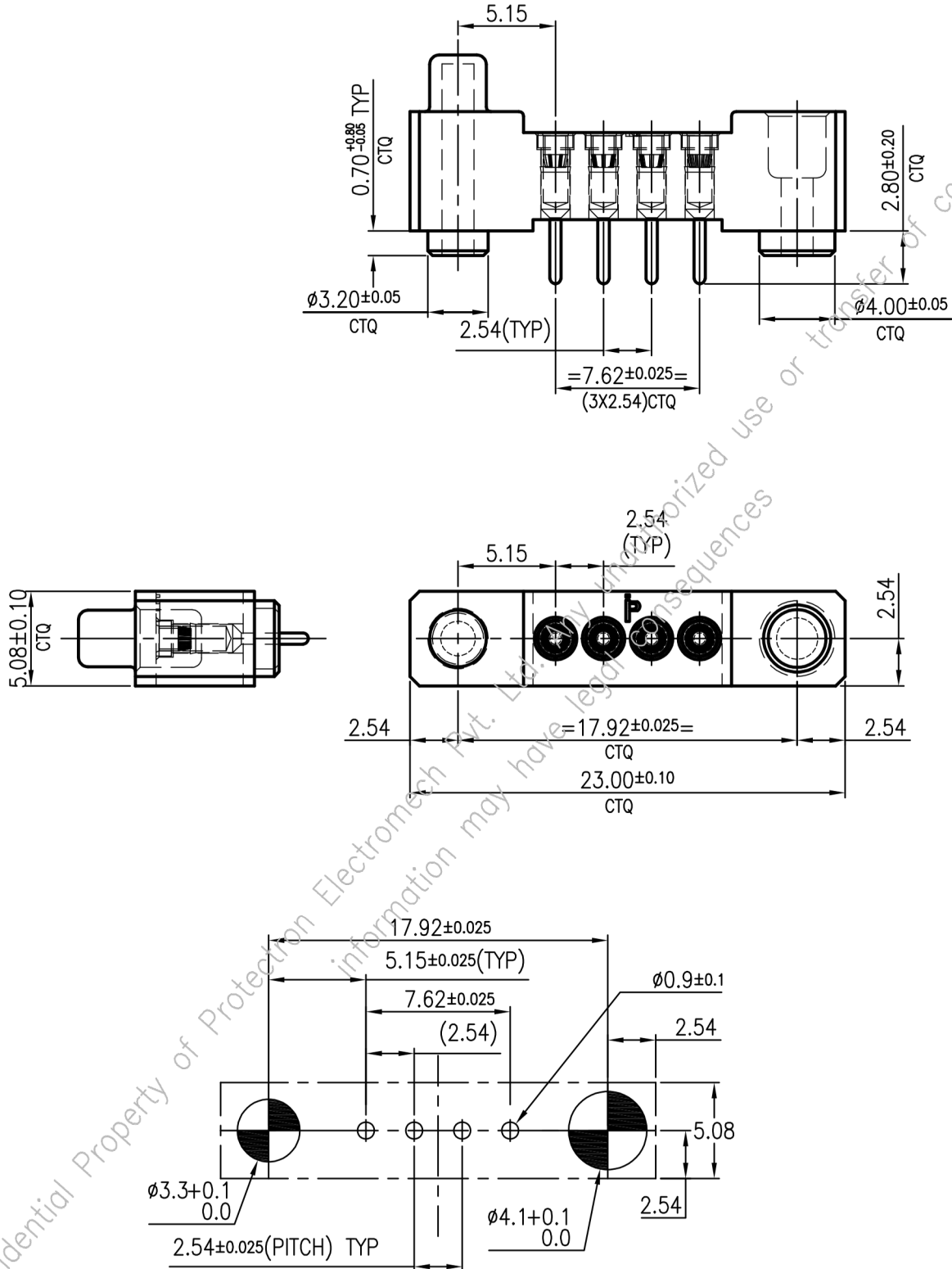
OPERATING TEMPERATURE	: -20°C TO +85°C
STORAGE TEMPERATURE	: -30°C TO +100°C

PACKING STD : TUBE OR TRAY PACKING (26PCS/TUBE)



DESCRIPTION : 4 PIN FEMALE CONNECTOR FOR 11.50mm HEIGHT

PART NO:P806JSA04-11A



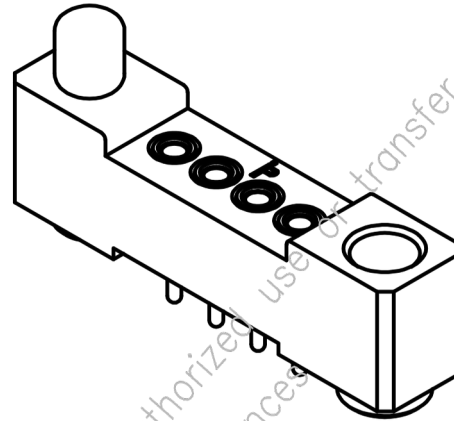
PCB THICKNESS: 1.6mm
RECOMMENDED PCB LAYOUT



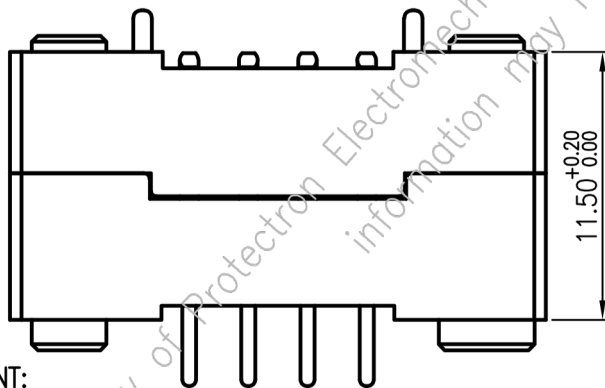
DESCRIPTION : 4 PIN FEMALE CONNECTOR FOR 11.50mm HEIGHT

PART NO:P806JSA04-11A

ISOMETRIC VIEW



ASSEMBLY WITH MATING CONNECTOR



IMPORTANT:

THE STACK UP HEIGHT AFTER MATING THE CONNECTOR I.e SMT AND THROUGH HOLE CONNECTOR SHALL BE AS SHOWN ABOVE

Projection:



Scale: NTS

Sht. Size: A4

Gen. Tol.: $\pm 0.3\text{mm}$
 $\pm 2^\circ$

ALL DIMENSIONS ARE IN MM.
IF UNLESS OTHERWISE SPECIFIED.