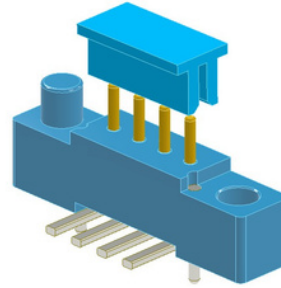




DESCRIPTION : 4 PIN MALE CONNECTOR FOR 11.50mm HEIGHT

PART NO: P806JPA04-JS-1A

RoHS



MATERIAL & FINISH :

INSULATOR : PPS GF 40%, FR GRADE GRAY/BLACK/BLUE COLOR AS PER MIL-M-24519
 CONTACT TERMINATION : BRASS, 4-6 μ MATTE TIN WITH NICKEL UNDER COAT.
 CONTACT ENGAGEMENT : BRASS, MINIMUM 1.25 μ GOLD PLATED OR HIGHER WITH NICKEL CLASS 2 AS PER ASTM B 488
 SUPPORT PIN : BRASS, 4-6 μ MATTE TIN WITH NICKEL UNDER COAT.

ELECTRICAL DATA:

CONTACT RESISTANCE : 0.005 OHMS MAX.
 INSULATION RESISTANCE : 5000 M OHMS .
 RATED CURRENT : 5A CONTINUOUS.

MECHANICAL DATA:

VIBRATION AND SHOCK : WILL BE TESTED AT CUSTOMER END.
 HUMIDITY : MIL 1344 CONDITION B
 SALT SPRAY : MIL 1344 CONDITION A
 INSERTION FORCE : 113 GRAMS/CONTACT MAX.
 EXTRACTION FORCE : 15 GRAMS/CONTACT MIN.
 DURABILITY MATING CYCLES : 500 CYCLES, METHOD 2016 OF MIL-STD-1344

OPERATING TEMPERATURE : -20°C TO +85°C
 STORAGE TEMPERATURE : -30°C TO +100°C

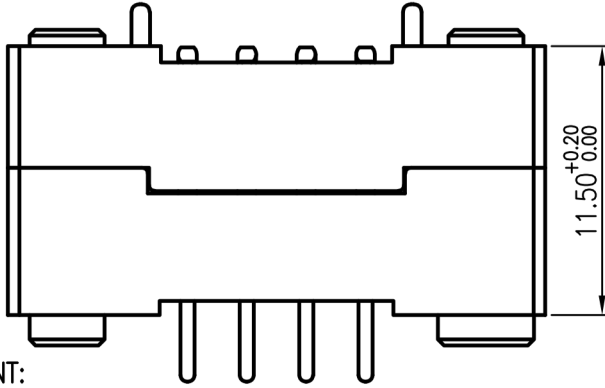
PACKING STD : TAPE & REEL WITH PICK UP CAP (550PCS/REEL)



DESCRIPTION : 4 PIN MALE CONNECTOR FOR 11.50mm HEIGHT

PART NO: P806JPA04-JS-1A

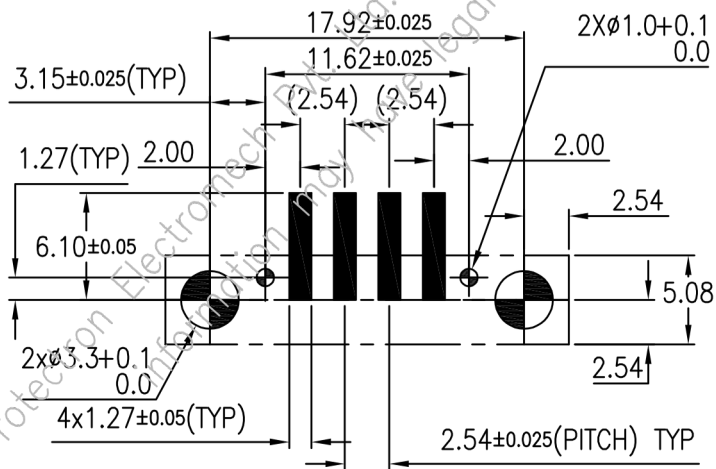
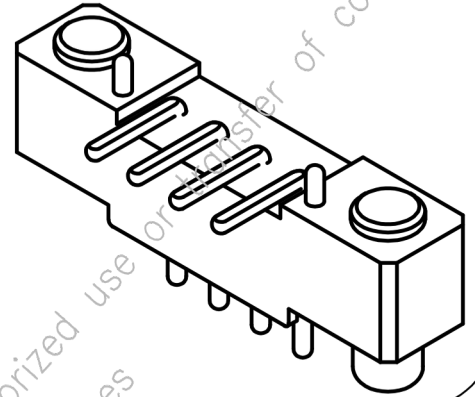
ASSEMBLY WITH MATING CONNECTOR



IMPORTANT:

THE STACK UP HEIGHT AFTER MATING THE CONNECTOR I.e SMT AND THROUGH HOLE CONNECTOR SHALL BE AS SHOWN ABOVE

ISOMETRIC VIEW



PCB THICKNESS: 0.8mm

RECOMMENDED PCB LAYOUT

Projection:



Scale: NTS

Sht. Size: A4

Gen. Tol.: ±0.3mm
±2°

ALL DIMENSIONS ARE IN MM.
IF UNLESS OTHERWISE SPECIFIED.