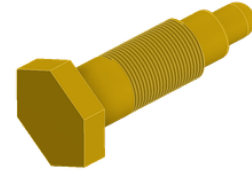




**DESCRIPTION : POGO PIN THREADED TYPE**

**PART NO: P8060P-01-1A**

RoHS



**PHYSICAL DATA**

PLUNGER : COPPER ALLOY, 0.75μ GOLD PLATING  
 BARREL : COPPER ALLOY, 0.1μ GOLD PLATING  
 SPRING : STAINLESS STEEL WIRE

**ELECTRICAL DATA**

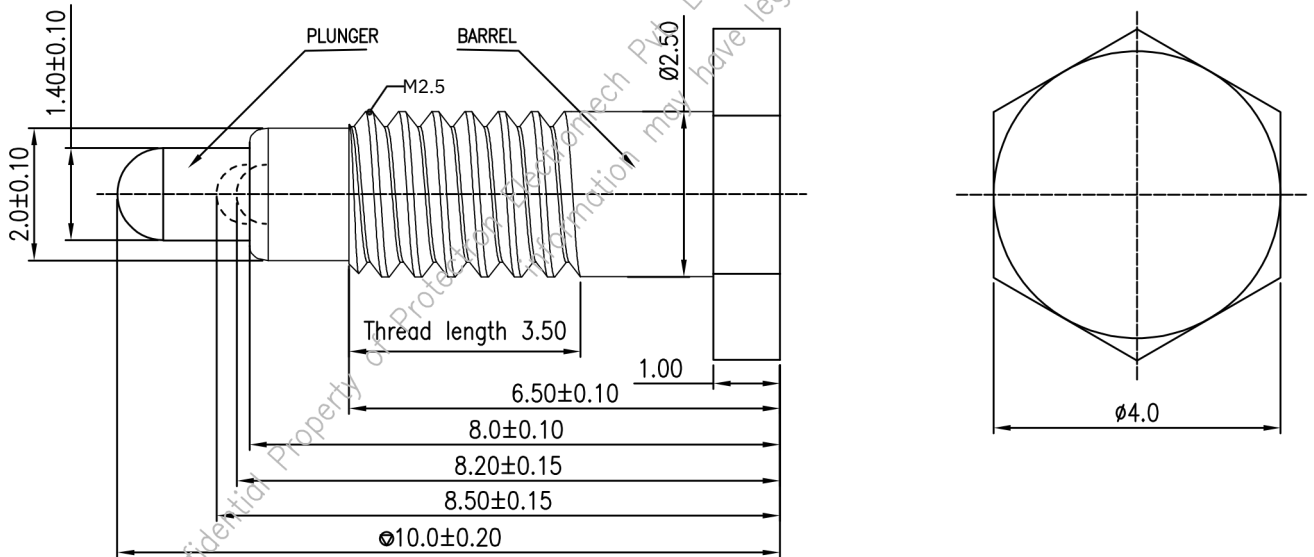
OPERATING VOLTAGE : 12V  
 OPERATING CURRENT : 1A  
 CONTACT RESISTANCE : 30m OHMS Max.

**MECHANICAL DATA**

MECHANICAL LIFE : 10000 CYCLES Min.

**ENVIRONMENTAL DATA**

OPERATING TEMPERATURE : -40°C ~ +85°C



Projection:



Scale: NTS

Sht. Size: A4

Gen. Tol.: ±0.50mm

ALL DIMENSIONS ARE IN MM.  
IF UNLESS OTHERWISE SPECIFIED.