

**DESCRIPTION:** PC MOUNT HOLDER FOR SUB MINIATURE FUSES  
PR SERIES, RoHS COMPLIANT

**PART NO:** P805R-02-11-X  
X=1=3.0mm. X=2=4.30mm

RoHS



### PHYSICAL DATA

#### INSULATION

MATERIAL	:	BLACK THERMOPLASTIC, POLYBUTYLENE TEREPHTHALATE PBT
FLAMMABILITY	:	UL94V-0
CONTACT OUTER SLEEVE	:	SCREW MACHINED, BRASS, TIN PLATED
INNER CLIP	:	BERYLLIUM-COPPER, GOLD PLATED
PACKAGING TYPE	:	BULK

### ELECTRICAL DATA

MAX. CURRENT/POWER	:	6.3A/1.6W
RATED VOLTAGE	:	250V AC
CONTACT RESISTANCE	:	30m OHMS MAX
INSULATION RESISTANCE	:	5000M OHMS MIN.

### MECHANICAL DATA

MECHANICAL LIFE	:	50 CYCLES MIN
INSERTION FORCE	:	<6N (<0.6Kg.) PER PIN WITH STEEL PIN DIA 0.41
EXTRACTION FORCE	:	>0.5N (>0.05Kg.) PER PIN WITH STEEL PIN DIA 0.41
UNIT WEIGHT	:	0.4gm

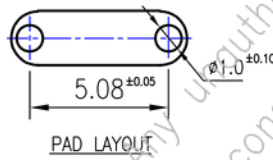
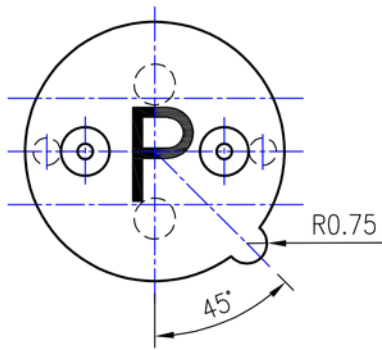
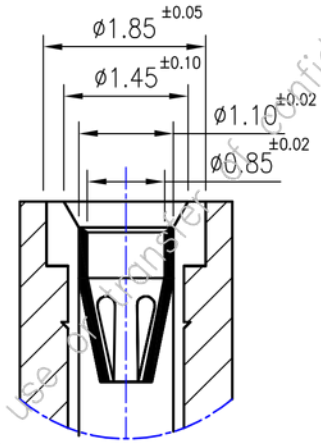
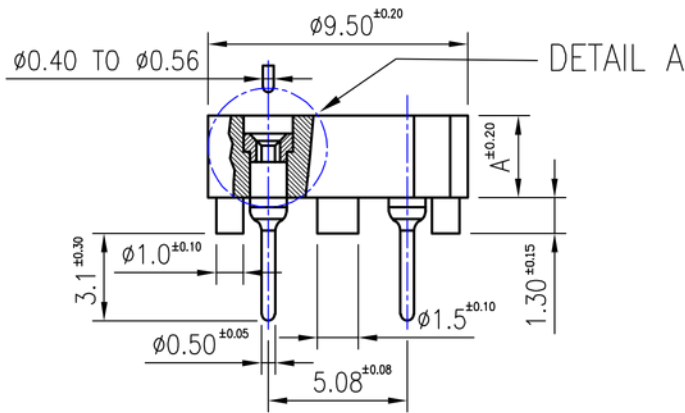
### ENVIRONMENTAL DATA

OPERATING TEMPERATURE	:	-40°C TO +85°C
-----------------------	---	----------------



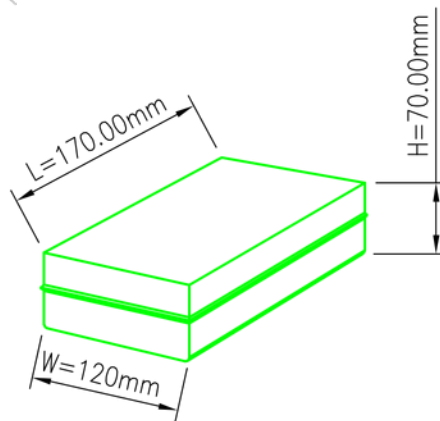
**DESCRIPTION:** PC MOUNT HOLDER FOR SUB MINIATURE FUSES  
PR SERIES, RoHS COMPLIANT

**PART NO:** P805R-02-11-X  
X=1=3.0mm. X=2=4.30mm



DETAIL A

A	CODE HEIGHT
1	3.0mm
2	4.30mm

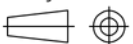


SCHEMATIC REPRESENTATION OF PACKING BOX.

PACKING INSTRUCTIONS:

1. 100nos TO BE PACKED IN POLYTHENE COVER.
2. 100no's 10PACKETS SHOULD BE PLACED IN PLASTIC BOX.

Projection:



Scale: NTS

Sht. Size: A4

Gen. Tol.:  $\pm 0.1\text{mm}$   
 $\pm 0.2^\circ$

ALL DIMENSIONS ARE IN MM.  
IF UNLESS OTHERWISE SPECIFIED.