



DESCRIPTION: PC MOUNT HOLDER FOR SUB MINIATURE FUSES
PR SERIES, RoHS COMPLIANT

PART NO: P805R-02-11-X
X=1=3.0mm. X=2=4.30mm

RoHS



PHYSICAL DATA

INSULATION

MATERIAL	:	BLACK THERMOPLASTIC, POLYBUTYLENE TEREPHTHALATE PBT
FLAMMABILITY	:	UL94V-0
CONTACT OUTER SLEEVE	:	SCREW MACHINED, BRASS, TIN PLATED
INNER CLIP	:	BERYLLIUM-COPPER, GOLD PLATED
PACKAGING TYPE	:	BULK

ELECTRICAL DATA

MAX. CURRENT/POWER	:	6.3A/1.6W
RATED VOLTAGE	:	250V AC
CONTACT RESISTANCE	:	30m OHMS MAX
INSULATION RESISTANCE	:	5000M OHMS MIN.

MECHANICAL DATA

MECHANICAL LIFE	:	50 CYCLES MIN
INSERTION FORCE	:	<6N (<0.6Kg.) PER PIN WITH STEEL PIN DIA 0.41
EXTRACTION FORCE	:	>0.5N (>0.05Kg.) PER PIN WITH STEEL PIN DIA 0.41
UNIT WEIGHT	:	0.4gm

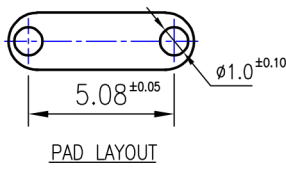
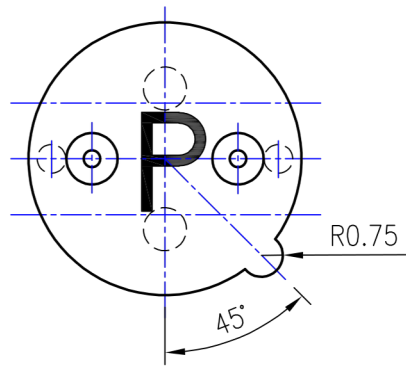
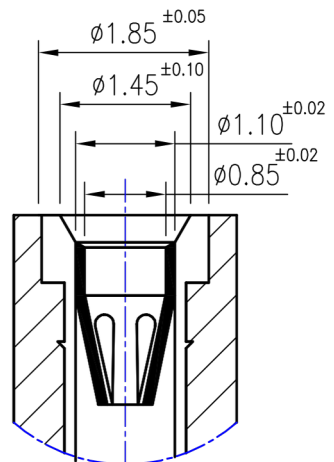
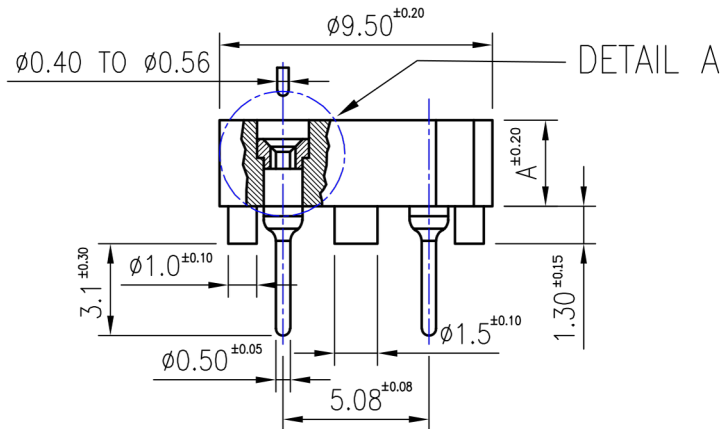
ENVIRONMENTAL DATA

OPERATING TEMPARATURE	:	-40°C TO +85°C
-----------------------	---	----------------

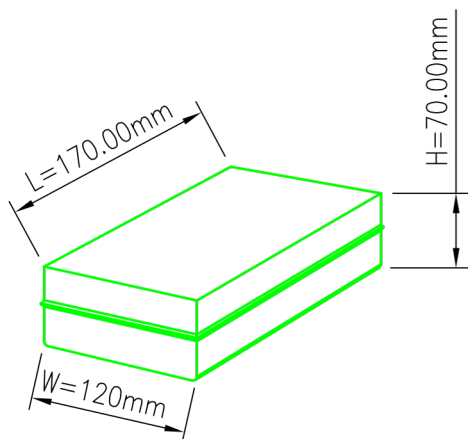


DESCRIPTION: PC MOUNT HOLDER FOR SUB MINIATURE FUSES
PR SERIES, RoHS COMPLIANT

PART NO: P805R-02-11-X
X=1=3.0mm. X=2=4.30mm



A	CODE HEIGHT
1	3.0mm
2	4.30mm



SCHMATIC REPRESENTATION OF PACKING BOX.
PACKING INSTRUCTIONS:
1. 100nos TO BE PACKED IN POLYTHENE COVER.
2. 100no's 10PACKETS SHOULD BE PLACED IN PLASTIC BOX.

Projection:

Scale: NTS

Sht. Size: A4

Gen. Tol.: $\pm 0.1\text{mm}$
 $\pm 0.2^\circ$

ALL DIMENSIONS ARE IN MM.
IF UNLESS OTHERWISE SPECIFIED.