

TECHNICAL DATA



PROTECTRON ELECTROMECH (P) LTD.
 # D-11 & 12, 1st FLOOR, BRIGADE MM, NEW K.R. ROAD
 BANGALORE- 560 082, KARNATAKA, INDIA.

PART NO. P8053-XX-XX

PAGE
1 OF 1

**DESCRIPTION: IC SOCKET DUAL-IN-LINE 0.3" PITCH,
 OPEN FRAME, WIRE WRAP PIN**

XX X X

MATERIAL:

INSULATOR BODY : GLASS FILLED THERMOPLASTIC
 SELF EXTINGUISHING,
 RATED UL94 V-0
CONTACT OUTER SLEEVE : SCREW MACHINED, BRASS, GOLD PLATED
 OR 5μ TIN-LEAD PLATED OVER NICKEL.
INNER CLIP : BERYLLIUM-COPPER, GOLD PLATED

No. OF PINS	06		
	08		
	10		
	14		
	16		
	18		
	22		
	24		
28			

ELECTRICAL DATA:

INSULATION RESISTANCE : 5,000 M OHMS @ 500V DC (Min.)
CONTACT RESISTANCE : 20m OHMS (Max.)
CURRENT RATING : 1A
RATED VOLTAGE : 100V AC
VOLTAGE PROOF : 600V AC

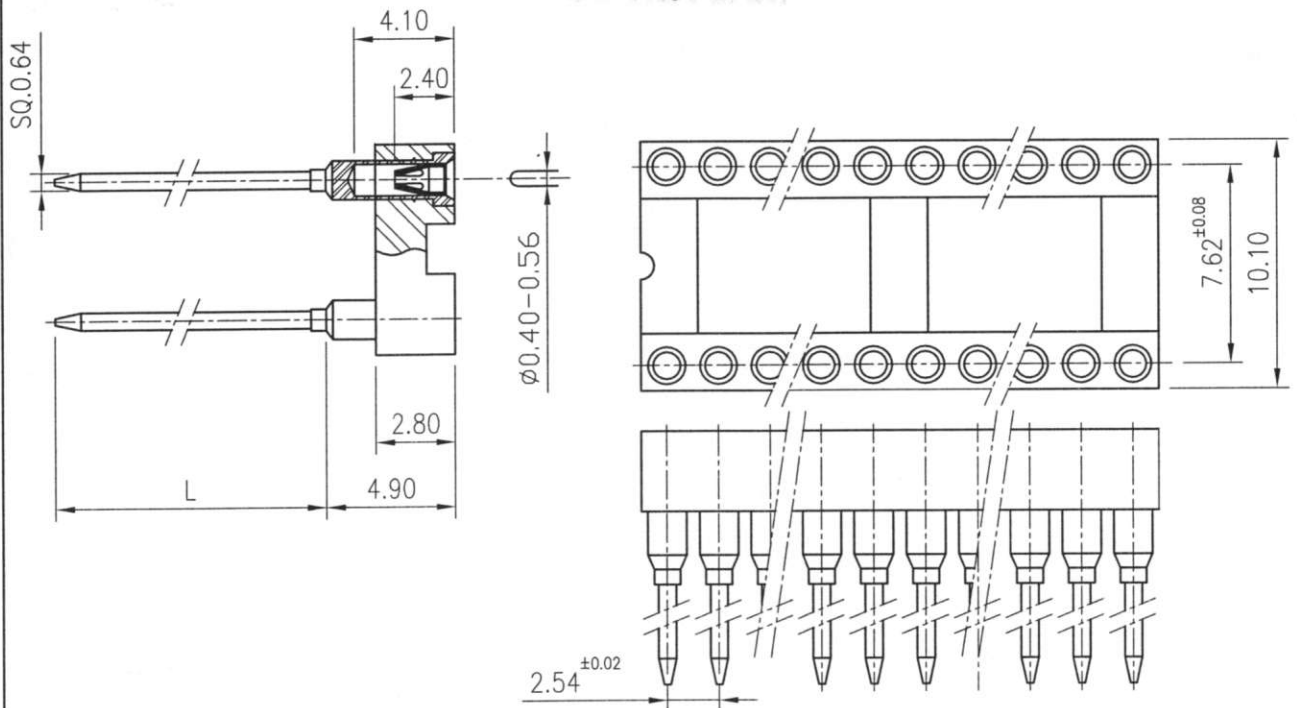
TYPE OF PIN (L)			
WIRE WRAP 9.50mm		3	
WIRE WRAP 13.08mm		4	
INNER CLIP	OUTER SLEEVE		
0.25μ Au	5μ Sn		1
0.75μ Au	5μ Sn		2
5μ Sn	5μ Sn		3
0.75μ Au	0.25μ Au		4

MECHANICAL DATA:

MECHANICAL LIFE : 50 CYCLES MIN.
INSERTION FORCE : <2N (<0.2Kg.) WITH STEEL PIN DIA 0.41
EXTRACTION FORCE : >0.5N (0.05Kg.) WITH STEEL PIN DIA 0.41

ENVIRONMENTAL DATA:

OPERATING TEMP. RANGE : -65°C TO +125°C
RESISTANCE TO SOLDERING HEAT : +260°C, 10 Sec.



REV.	DESCRIPTION	DRN BY	DATE	CKED BY	APP'D BY
A1	REMOVED THE PINS FROM 32 TO 52 AND INCLUDED PINS 6 TO 22	SUNITA	04.03.2014		
A	ORIGINAL	SACHIN	16.07.2003	SACHIN	SURINDRA

Projection: 	Scale: XXXX	Sht. Size: A4	Gen. Tol.: ±0.1mm ±0.2'	ALL DIMENSIONS ARE IN MM. IF UNLESS OTHERWISE SPECIFIED.
-----------------	-------------	---------------	----------------------------	---