

DESCRIPTION : PCB CONNECTOR 2.54mm PITCH, DOUBLE ROW
 2 PIN, 3.20mm TAIL, RoHS

PART NO: P8050-02A11



PHYSICAL DATA

INSULATION

MATERIAL	:	PPS, UL94V-0
SLEEVE	:	SCREW MACHINED, BRASS, TIN PLATED
CLIP	:	BERYLLIUM-COPPER, GOLD PLATED

ELECTRICAL DATA

CURRENT RATING	:	6.3A
INSULATION RESISTANCE	:	1000M OHMS AT 100V
DIELECTRIC WITHSTANDING	:	600V rms Min.
CONTACT RESISTANCE	:	20m OHMS (Max.)
VOLTAGE RATING	:	250V AC

MECHANICAL DATA

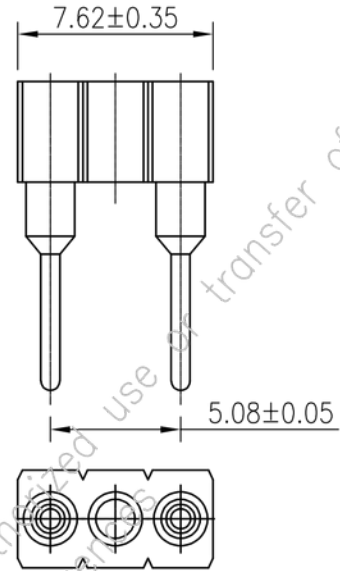
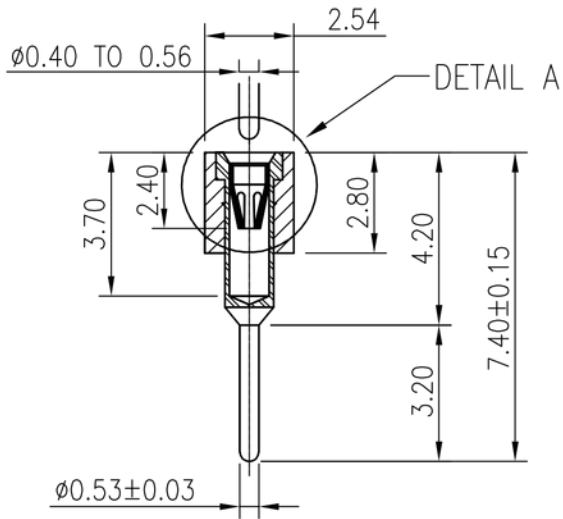
AVERAGE INSERTION FORCE	:	<6N (<0.6Kg.) PER PIN WITH STEEL PIN DIA 0.41
AVERAGE EXTRACTION FORCE	:	>0.5N (>0.05Kg.) PER PIN WITH STEEL PIN DIA 0.41
MECHANICAL LIFE CYCLE	:	50 CYCLES MIN.

ENVIRONMENTAL DATA

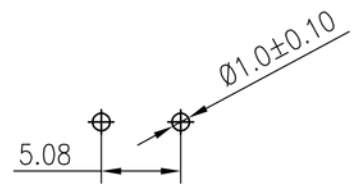
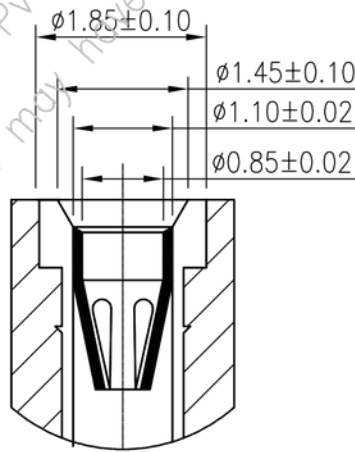
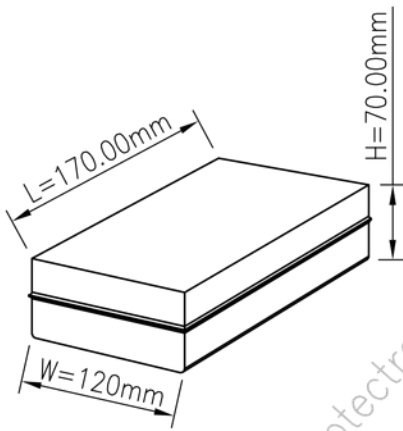
TEMPERATURE RANGE	:	-55°C TO +125°C
PROCESS RATING	:	+260°C, 10 Sec.

DESCRIPTION : PCB CONNECTOR 2.54mm PITCH, DOUBLE ROW
2 PIN, 3.20mm TAIL, RoHS

PART NO: P8050-02A11



SCHEMATIC REPRESENTATION OF PACKING BOX



RECOMMENDED P.C.B LAYOUT
(TOLERANCE±0.05)

DETAIL A

PACKING INSTRUCTIONS:

1. 250nos TO BE PACKED IN POLYTHENE COVER.
2. 250nos OF 16PACKETS SHOULD BE PLACED IN PLASTIC BOX.

Projection:



Scale: NTS

Sht. Size:A4

Gen. Tol.: ±0.30mm
±2'

ALL DIMENSIONS ARE IN MM.
IF UNLESS OTHERWISE SPECIFIED.