



DESCRIPTION : TEST POINT CLIP WITH STAND OFF(CERAMIC)

PART NO: P8042-CX-22
X=COLOR

RoHS



PHYSICAL

MATERIAL

CONTACT

BEAD

PACKAGING TYPE

- : PHOSPHOR BRONZE/ GOLD FLASH PLATING
- : CERAMIC
- : BULK PACKING

ORDERING INFORMATION

P8042-CX-22

X=COLOR

BLACK	0
BROWN	1
RED	2
ORANGE	3
YELLOW	4
GREEN	5
BLUE	6
VIOLET	7
GREY	8
WHITE	9

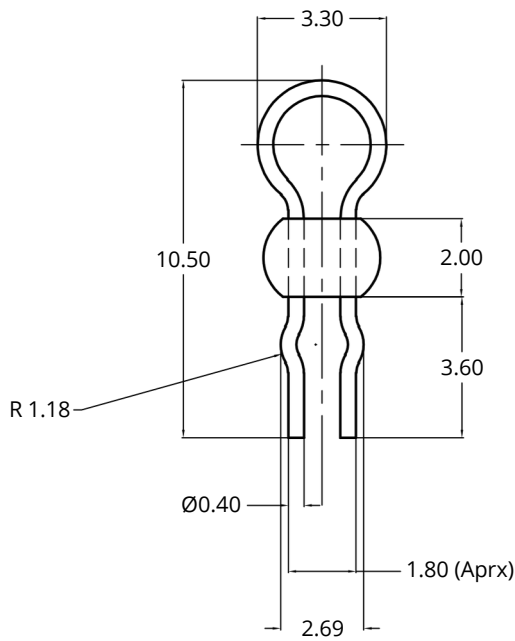
MOQ- 2500 MIN

SPQ- 2500 PER PACK

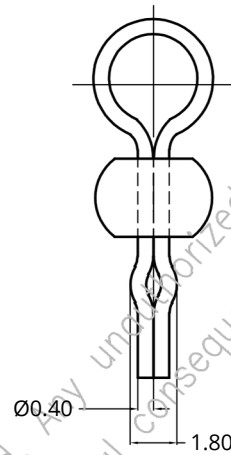


DESCRIPTION :TEST POINT CLIP WITH STAND OFF(CERAMIC)

PART NO: P8042-CX-22
X=COLOR



OPEN CONDITION



CLOSE CONDITION

NOTE:-

1. PC BOARD HOLES SIZE ϕ 1.0mm

Projection:



Scale: NTS

Sht. Size: A4

Gen. Tol.: ± 0.1 mm
 ± 0.2 '

ALL DIMENSIONS ARE IN MM.
IF UNLESS OTHERWISE SPECIFIED.