

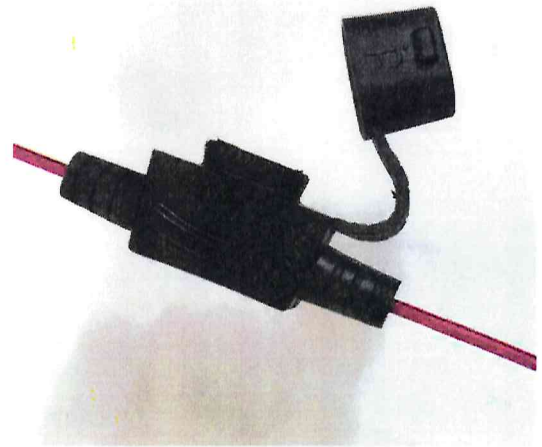


PROTECTRON ELECTROMECH (P) LTD

DESCRIPTION : INLINE FUSE HOLDER FOR MINI BLADE FUSE , 1sqmm
CABLE OF LEN =150mm AT ONE END AND 150mm AT
OTHER END WITH IP67 (WTERPROOF)

PART NO: P8041-22

RoHS



PHYSICAL DATA

OUTER BODY : TPU,UL94V-0
TERMINALS : PHOSPHOR BRONZE ,TIN PLATED

ELECTRICAL DATA

CURRENT RATING : 3A
INSULATION RESISTANCE : 100MΩ MIN AT 500V DC
WIRE : 1.0 Sq mm FLRYB RED COLOR
LENGTH ONE END 150mm, OTHER END 150mm
RED COLOR

MECHANICAL DATA

1st CYCLE INSERTION FORCE : 16.0Kgs MAX.
1st CYCLE EXTRACTION FORCE : 5.0Kgs MIN.

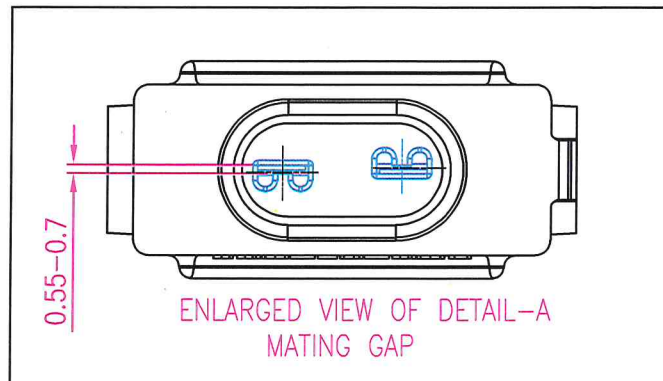
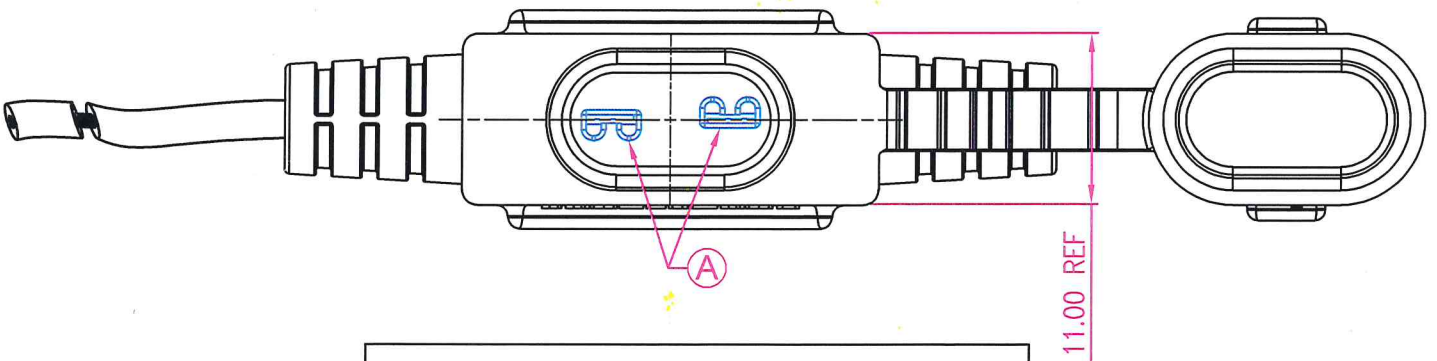
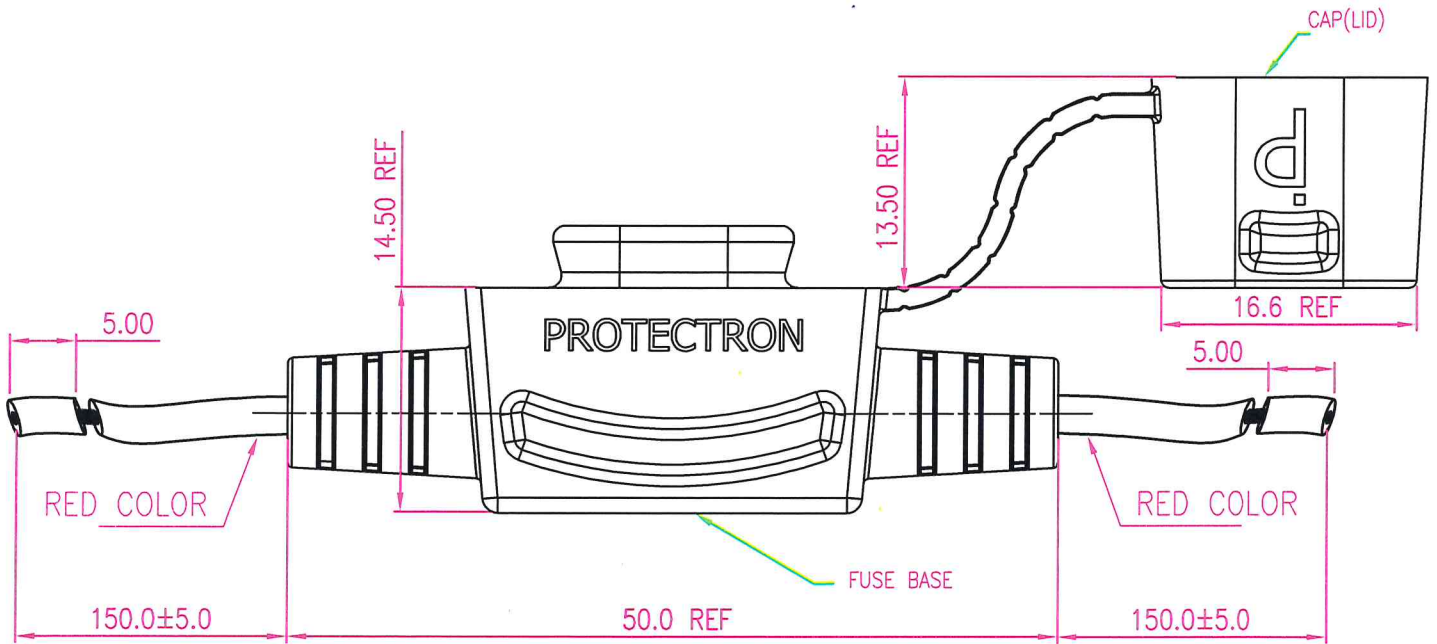
5th CYCLE INSERTION FORCE : 12.0Kgs MAX.
5th CYCLE EXTRACTION FORCE : 3.0Kgs MIN.



PROTECTRON ELECTROMECH (P) LTD

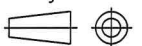
DESCRIPTION : INLINE FUSE HOLDER FOR MINI BLADE FUSE , 1sqmm
CABLE OF LEN =150mm AT ONE END AND 150mm AT
OTHER END WITH IP67 (WTERPROOF)

PART NO: P8041-22



A	ORIGINAL	GURU G H	20.03.2024	<i>[Signature]</i>	<i>[Signature]</i>
REV.	DESCRIPTION		DRN. BY	DATE	CK'ED BY APP'D BY

Projection:



Scale: NTS

Sht. Size: A4

ALL DIMENSIONS ARE IN MM.
IF UNLESS OTHERWISE SPECIFIED.

<http://www.protectron.in>
protectron@protectron.in