



DESCRIPTION : INLINE FUSE HOLDER FOR MINI-BLADE FUSE

PART NO: P8041-19



RoHS



PHYSICAL DATA

OUTER BODY	:	PVC, UL94V-0
TERMINALS	:	BRASS, TIN PLATED

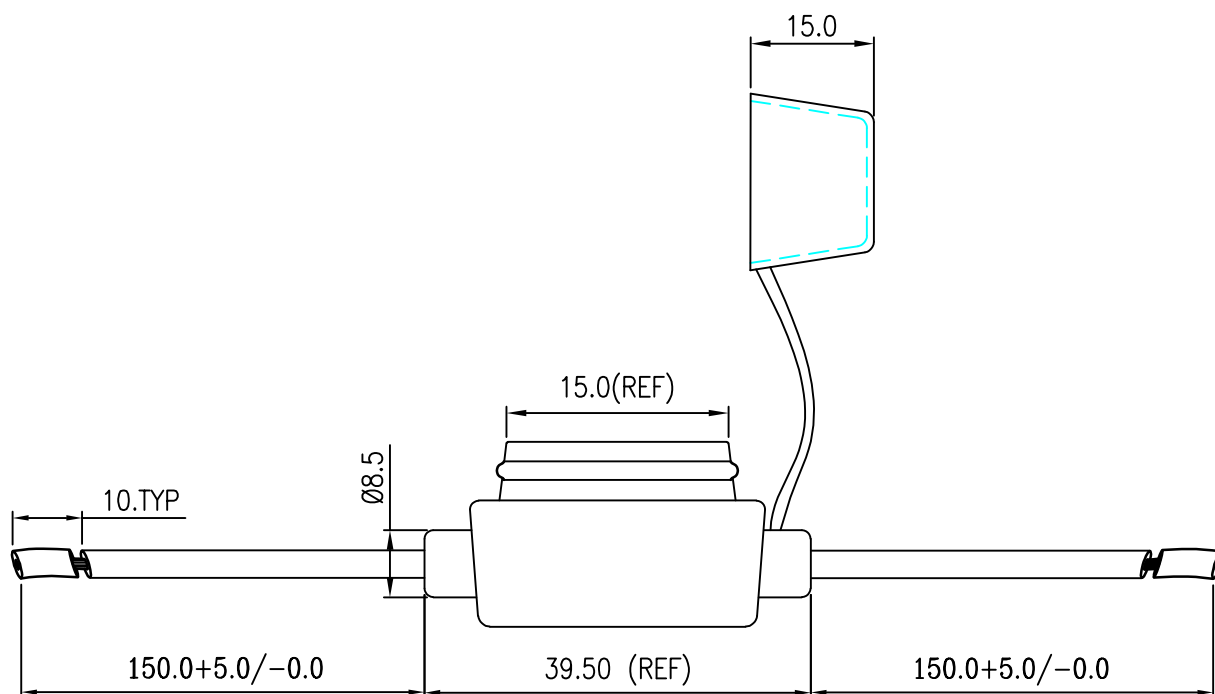
ELECTRICAL DATA

CURRENT RATING	:	15A
VOLTAGE RATING	:	58V MAX
INSULATION RESISTANCE	:	100M Ω MIN AT 500V DC
CONTACT RESISTANCE	:	5M Ω MAX AT 1A DC
WIRE	:	1SQmm FLRYB RED COLOR 6 INCH LENGTH ON EACH END



DESCRIPTION : INLINE FUSE HOLDER FOR MINI-BLADE FUSE

PART NO: P8041-19



ORDERING INFORMATION

P8041-19

Projection:



Scale: NTS

Sht. Size: A4

ALL DIMENSIONS ARE IN MM.
IF UNLESS OTHERWISE SPECIFIED.