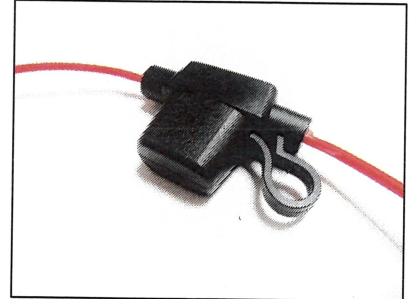




PROTECTRON ELECTROMECH (P) LTD

DESCRIPTION : INLINE FUSE HOLDER FOR MINI-BLADE FUSE

PART NO: P8041-19-16



PHYSICAL DATA

MOLDED PARTS : PVC, UL94V-0, BLACK COLOR
TERMINALS : PHOSPHOR BRONZE ,TIN PLATED

ELECTRICAL DATA

CURRENT RATING : 5A
CONTACT RESISTANCE : 300m Ω MAX WITH RESISTOR (END TO END CABLE)
INSULATION RESISTANCE : 100M Ω MIN AT 500V DC
WIRE : 1.0 Sq mm FLRYB RED COLOR WITH 200mm LENGTH ON EACH END.

NOTE : WIRE LENGTH, COLOR AND CABLE GAUGE CAN BE CUSTOMIZED. CUSTOMIZATION REQUIRES MINIMUM ORDER QUANTITIES DEPENDING ON NATURE OF MODIFICATION.

MECHANICAL DATA

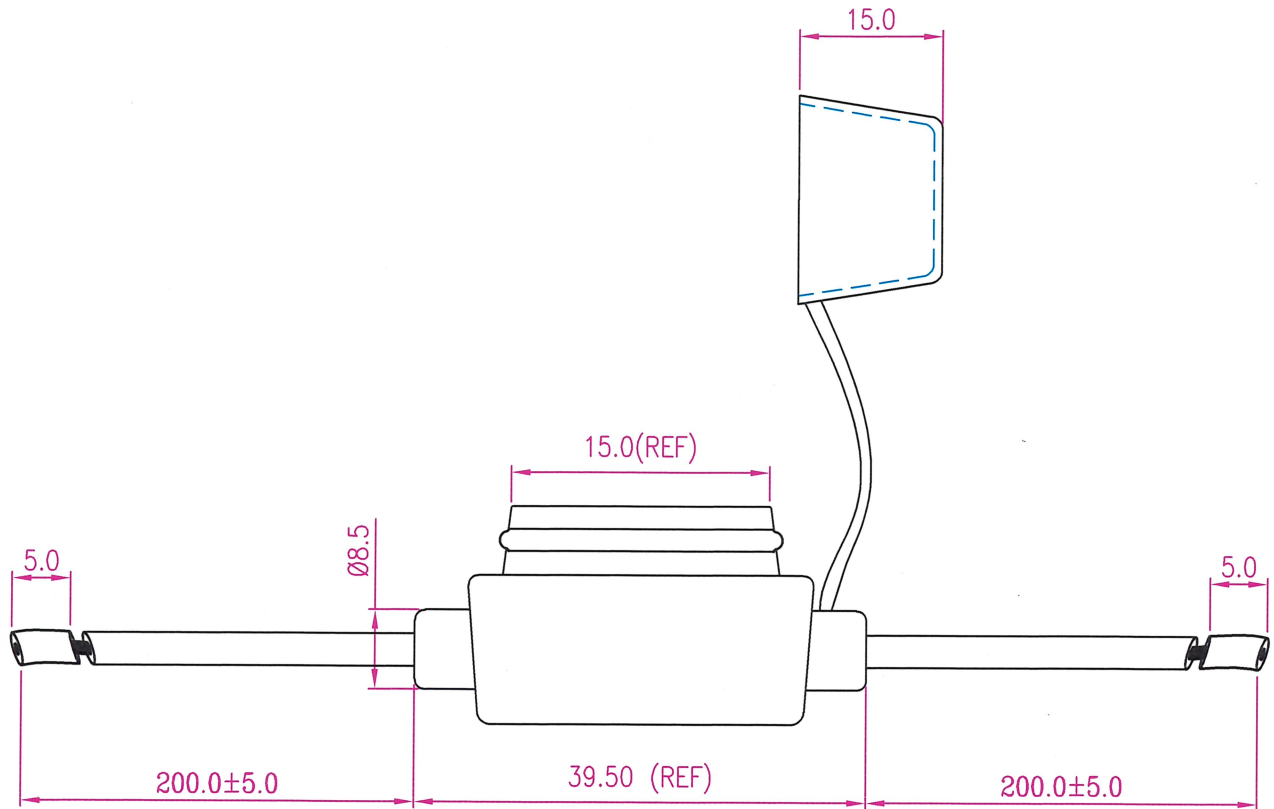
1st CYCLE INSERTION FORCE : 16.0Kgs MAX.
1st CYCLE EXTRACTION FORCE : 5.0Kgs MIN.
5th CYCLE INSERTION FORCE : 12.0Kgs MAX.
5th CYCLE EXTRACTION FORCE : 3.0Kgs MIN.



PROTECTRON ELECTROMECH (P) LTD

DESCRIPTION : INLINE FUSE HOLDER FOR MINI-BLADE FUSE

PART NO: P8041-19-16

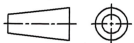


ORDERING INFORMATION

P8041-19-16

A	ORIGINAL	THANUJA	19.02.2021	<i>[Signature]</i>	<i>[Signature]</i>
REV.	DESCRIPTION	DRN. BY	DATE	CK'ED BY	APP'D BY

Projection:



Scale: NTS

Sht. Size: A4

ALL DIMENSIONS ARE IN MM.
IF UNLESS OTHERWISE SPECIFIED.

<http://www.protectron.in>
protectron@protectron.in