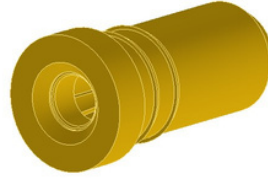


DESCRIPTION: SOCKET ASSEMBLY FOR DIA 1.50mm CONNECTOR JACK

PART NO: P8040A12-32

RoHS



MATERIAL & FINISH :

OUTER SLEEVE BODY : BRASS, MACHINED, GOLD PLATED
INNER CONTACT CLIP : COPPER ALLOY, GOLD PLATED

ELECTRICAL DATA:

VOLTAGE RATING : 250 V AC
CURRENT RATING : 4 A
CONTACT RESISTANCE : 5 m OHMS Max.

MECHANICAL DATA:

INSERTION FORCE WITH STEEL PIN ϕ 1.50mm : 3.5 N (350 Gms.) Nominal
EXTRACTION FORCE WITH STEEL PIN ϕ 1.50mm : 1N (100 Gms.) Nominal
LIFE CYCLE : 500 CYCLES

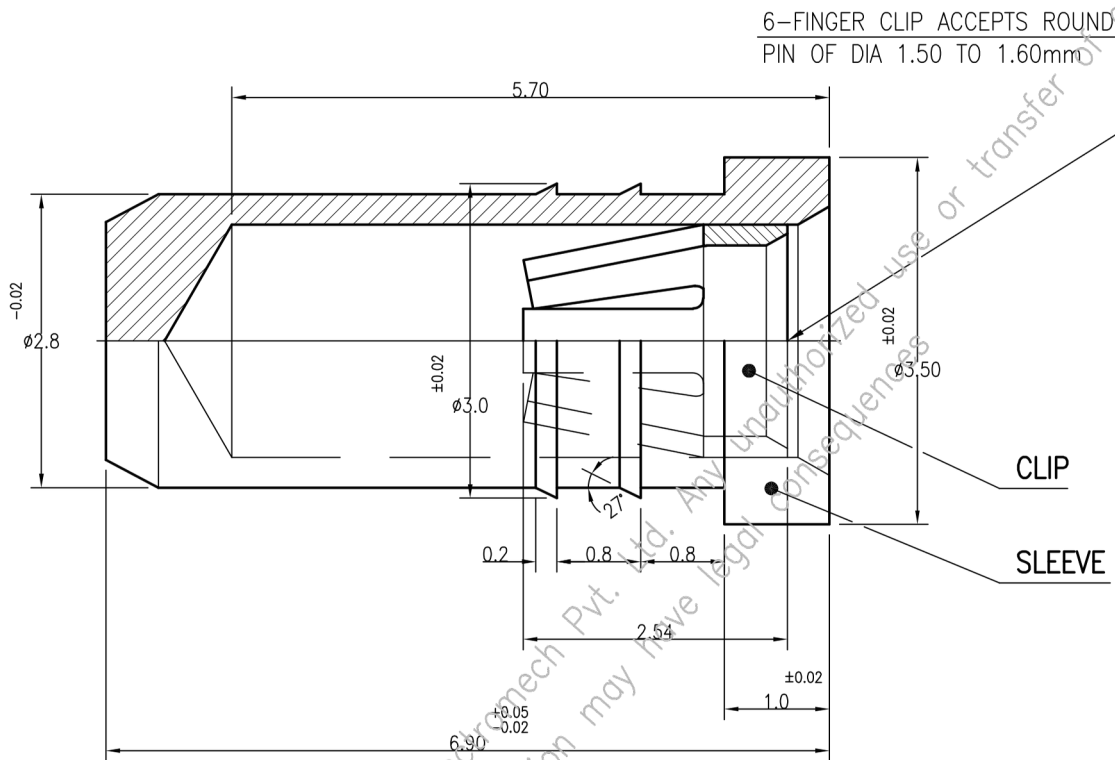
ENVIRONMENTAL DATA

OPERATING TEMP. RANGE : -25°C TO +70°C



DESCRIPTION : SOCKET ASSEMBLY FOR DIA 1.50mm CONNECTOR JACK

PART NO: P8040A12-32



Projection:



Scale: NTS

Sht. Size: A4

Gen. Tol.: $\pm 0.1\text{mm}$
 $\pm 0.2^\circ$

ALL DIMENSIONS ARE IN MM.
IF UNLESS OTHERWISE SPECIFIED.