



DESCRIPTION : MIDI BOLT DOWN FUSE HOLDER, 70V, RoHS

PART NO: P803L-01



SPECIFICATION

MAX VOLTAGE RATING	:	70V DC
MAX FUSE RATING	:	200A MAX
OPERATING TEMP RANGE	:	-40°C TO +125°C
MAX WIRE SIZE	:	50 Sq mm
TORQUE RATING	:	10±1Nm
BASE & COVER MATERIAL	:	GLASS-FILLED NYLON, UL94V-0, BLACK
M6 BOLT MATERIAL	:	STAINLESS STEEL, GRADE-202
M6 NUT	:	STAINLESS STEEL, GRADE-202
M6 FLAT WASHER	:	STAINLESS STEEL, GRADE-304
M6 SPRING WASHER	:	STAINLESS STEEL, GRADE-202

DESCRIPTION

THE INLINE MIDI FUSE HOLDER IS DESIGNED FOR THE USE WITH BOLT DOWN MIDI STYLE FUSES (70V). IT MAY BE INSTALLED DIRECTLY INLINE WITH THE CABLES WITH NO MOUNTING REQUIRED. THE INLINE MIDI FUSE HOLDER CAN BE USED WITH HEAT SHRINK TUBING FOR APPLICATION REQUIRING MORE SPLASH RESISTANCE. THE CURVED DESIGN OF THE COVER AIDS IN PREVENTION OF TUBE-SPLITTING DURING APPLICATION.



DESCRIPTION : MIDI BOLT DOWN FUSE HOLDER, 70V, RoHS

PART NO: P803L-01

FEATURES AND BENEFITS

- PROVIDES HIGH AMPERAGE, IN-LINE, MAIN OR BRANCH CIRCUIT PROTECTION IN HARSH OR HAZARDOUS ENVIRONMENTS.
- INSTALL DIRECTLY INLINE WITH BATTERY CABLE, NO MOUNTING REQUIRED SAVING TIME & SPACE.
- CURVED DESIGN OF THE FUSE HOLDER COVER AIDS IN PREVENTION OF TUBE-SPLITTING DURING APPLICATION.
- AVAILABLE WITH OR WITHOUT THE COVER TO MEET THE NEEDS OF THE INSTALLATION REQUIREMENTS.
- CAN BE USED WITH HEAT SHRINK TUBING FOR THE APPLICATIONS REQUIRING MORE SEALING AND SPLASH RESISTANCE. REF FIG (A) [UNDER CUSTOMER SCOPE]

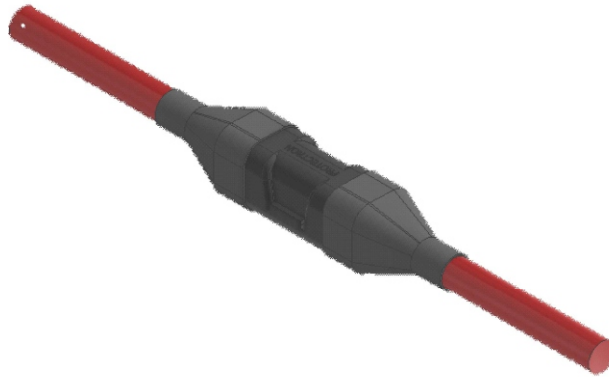


FIG (A)

ORDERING INFORMATION

PART NUMBER	DESCRIPTION
P803L-01	MIDI BOLT DOWN FUSE HOLDER, 70V

SUGGESTED FUSES

PBFT-LT-In BOLT DOWN FUSES (70V)

THE MIDI FUSE OFFERS A BOLT-ON SPACE SAVING FUSE FOR HIGH CURRENT WIRING PROTECTION AND PROVIDES TIME DELAY CHARACTERISTICS.

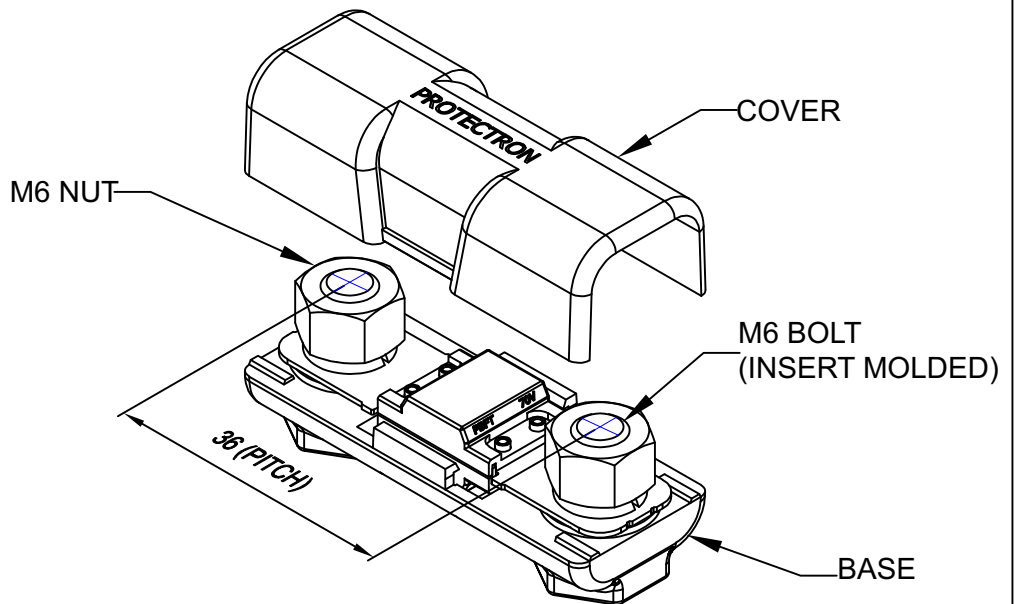
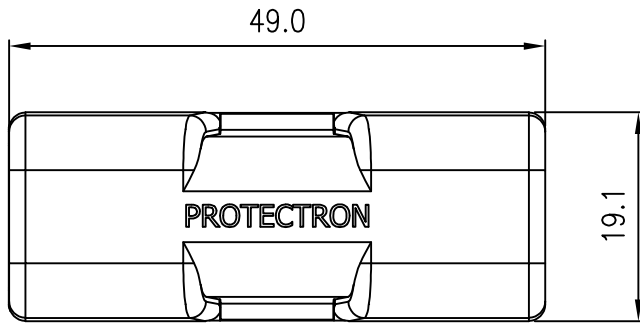
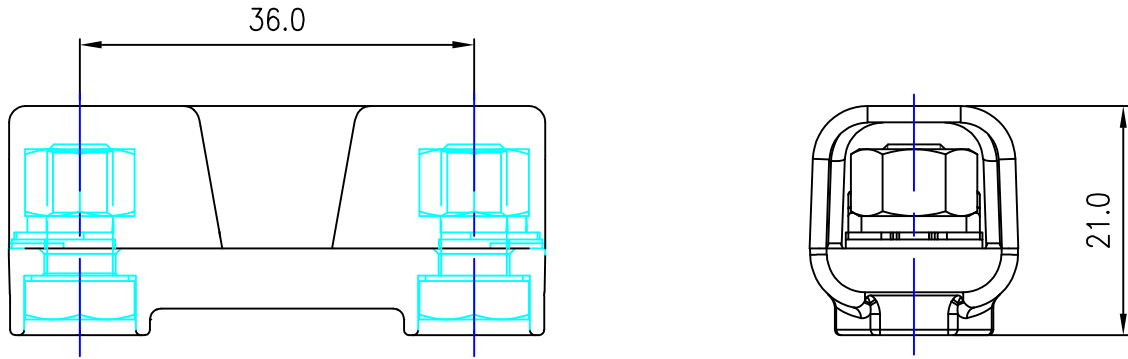


CURRENT RATING	PART NUMBER
30A-200A	PBFT-LT-In



DESCRIPTION : MIDI BOLT DOWN FUSE HOLDER, 70V, RoHS

PART NO: P803L-01



Projection:



Scale: NTS

Sht. Size: A4

Gen. Tol.: $\pm 0.3\text{mm}$
 $\pm 2'$

ALL DIMENSIONS ARE IN MM.
IF UNLESS OTHERWISE SPECIFIED.