



DESCRIPTION : INLINE FUSE HOLDER FOR LP MINI-BLADE FUSE

PART NO: P803D-19

RoHS



PHYSICAL DATA:

INSULATION

MATERIAL

: PVC,UL94V-0

CRIMP TERMINAL

: PHOSPHOR BRONZE

ELECTRICAL DATA:

RATED CURRENT

: 30A Max

VOLTAGE RATING

: 32V

INSULATION RESISTANCE

: 100M OHMS MIN @500V DC

CONTACT RESISTANCE

: 5mΩMax

FEATURES:

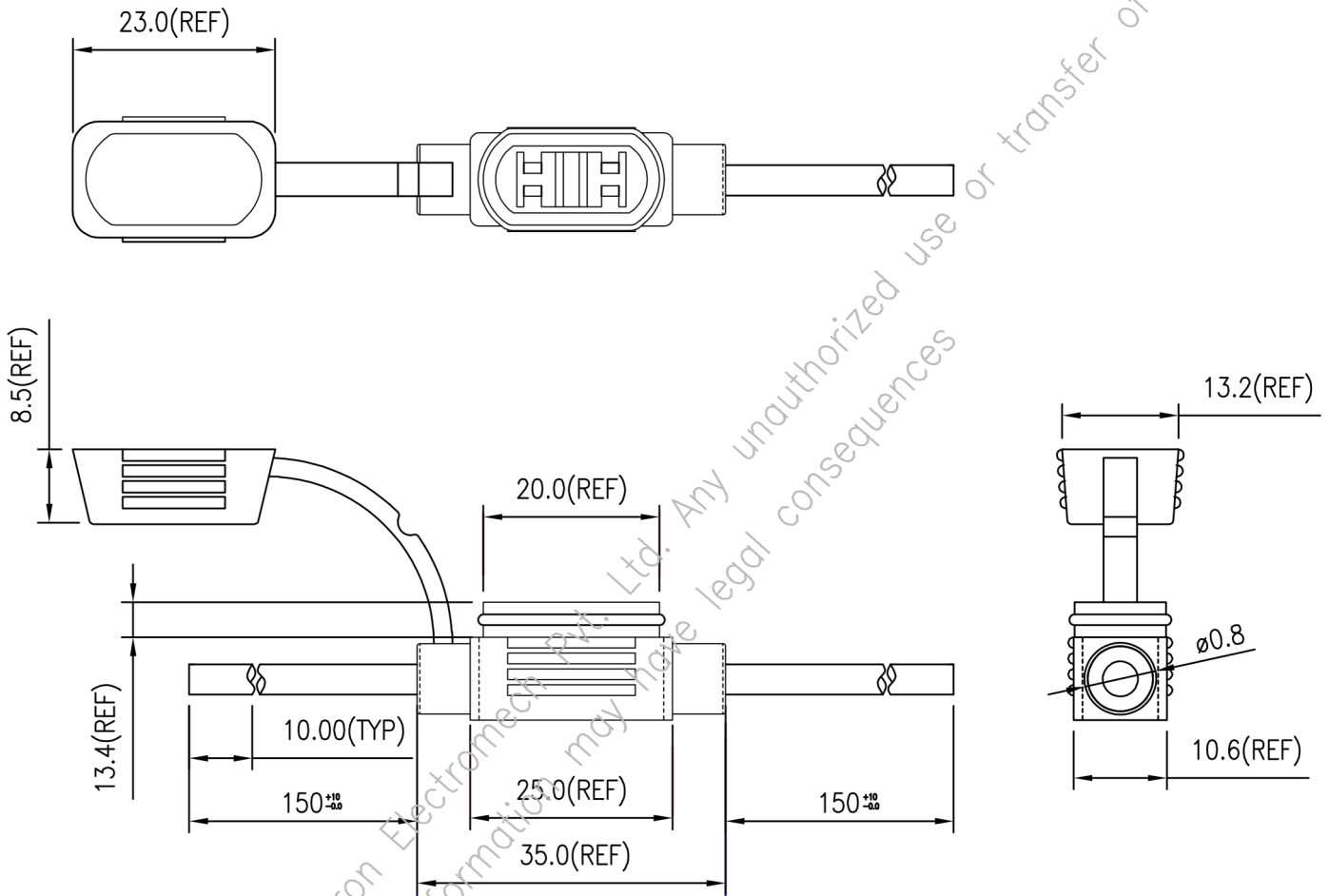
WIRE RANGE

: 12AWG CABLE RED COLOR 6 INCH LENGTH ON EACH END

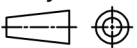


DESCRIPTION : INLINE FUSE HOLDER FOR LP MINI-BLADE FUSE

PART NO: P803D-19



Projection:



Scale: NTS

Sht. Size: A4

ALL DIMENSIONS ARE IN MM.
IF UNLESS OTHERWISE SPECIFIED.