



PROTECTRON ELECTROMECH (P) LTD

DESCRIPTION : MEGA BOLT DOWN FUSE HOLDER WITH COVER, 70V, RoHS

PART NO: P803C-03

RoHS



PHYSICAL DATA

INSULATOR

BASE : PBT+15%G.F, UL94V-0, BLACK.
COVER : POLYCARBONATE, UL94V-0, TRASPARENT.

ELECTRICAL DATA

CURRENT RATING : 60A-500A (DC)
VOLTAGE RATING : 70V DC

ENVIRONMENTAL DATA

TEMPERATURE RANGE : -55°C TO +105°C

MECHANICAL DATA

TORQUE : 10 to 12 Nm

FUSE DATA

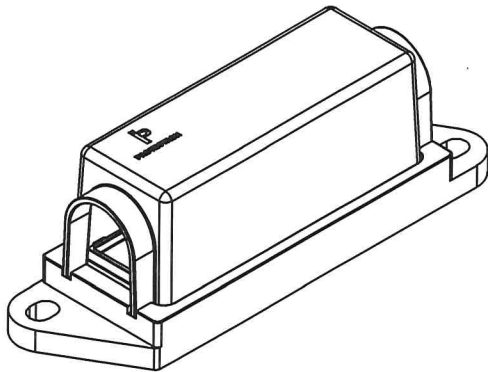
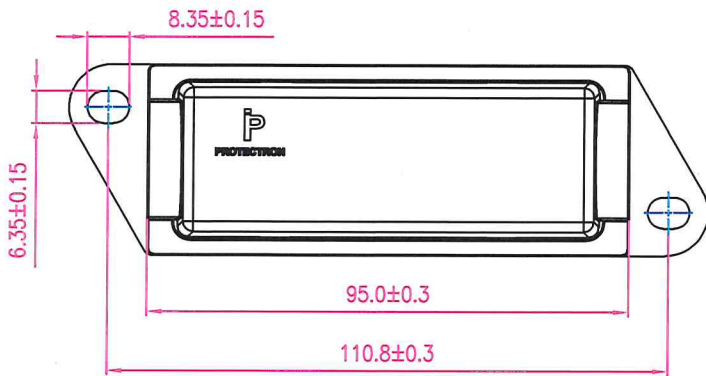
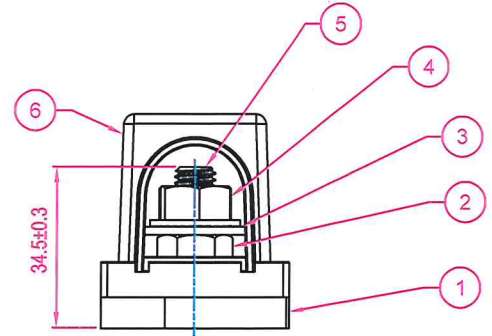
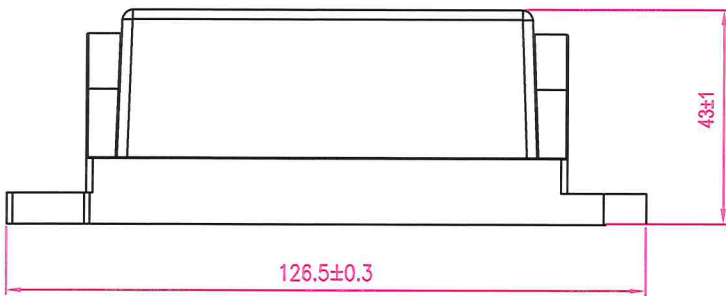
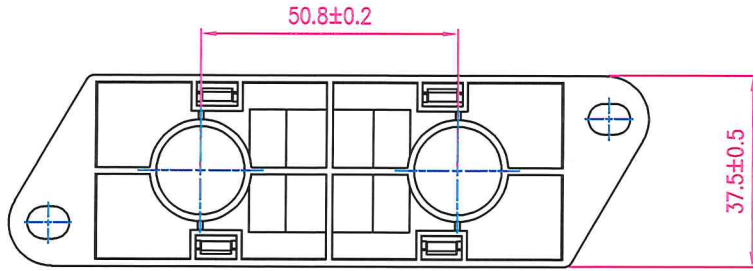
PBFM-KT SERIES : 60A to 500A



PROTECTRON ELECTROMECH (P) LTD

DESCRIPTION : MEGA BOLT DOWN FUSE HOLDER WITH COVER, 70V, RoHS

PART NO: P803C-03



BOM			
SL.NO	PART DESCRIPTION	MATERIAL GRADE	FINISH
1	FUSE BASE	PBT+15% GF, UL94-V0	-
2	M8 HALF NUT	SS 202	PASSIVATION
3	M8 PLAIN WASHER	SS 202	PASSIVATION
4	M8 FLANGE NUT	SS 202	PASSIVATION
5	HEX BOLT M8X25	SS 202	PASSIVATION
6	COVER	PC, UL94-V0	-

A1	FUSE DETAILS ADDED	SHUEAB	02.08.2023	<i>[Signature]</i>	<i>[Signature]</i>
A	ORIGINAL	SHUEAB	28.07.2023		<i>[Signature]</i>
REV.	DESCRIPTION	DRN BY	DATE	CK'ED BY	APP'D BY

Projection: 	Scale: NTS	Sht. Size: A4	Gen. Tol.: ±0.3mm ±2°	ALL DIMENSIONS ARE IN MM. IF UNLESS OTHERWISE SPECIFIED.
-----------------	------------	---------------	--------------------------	---