



**DESCRIPTION** : MEGA BOLT DOWN FUSE HOLDER WITH COVER, 70V, RoHS

**PART NO:** P803C-03



**RoHS**



### **PHYSICAL DATA**

INSULATOR

BASE : PA66+30%G.F, UL94V-0, BLACK.

COVER : POLYCARBONATE, UL94V-0, TRASPARENT.

### **ELECTRICAL DATA**

CURRENT RATING : 60A-500A (DC)

VOLTAGE RATING : 70V DC

### **ENVIRONMENTAL DATA**

TEMPERATURE RANGE : -55°C TO +105°C

### **MECHANICAL DATA**

TORQUE : 10 to 12 Nm

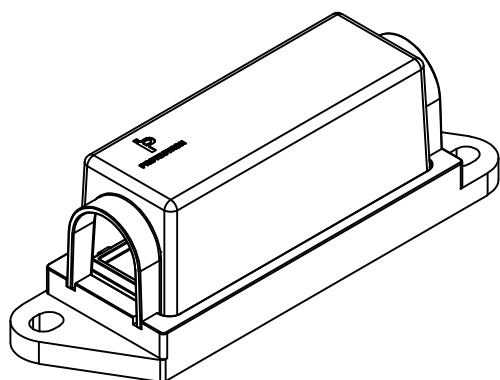
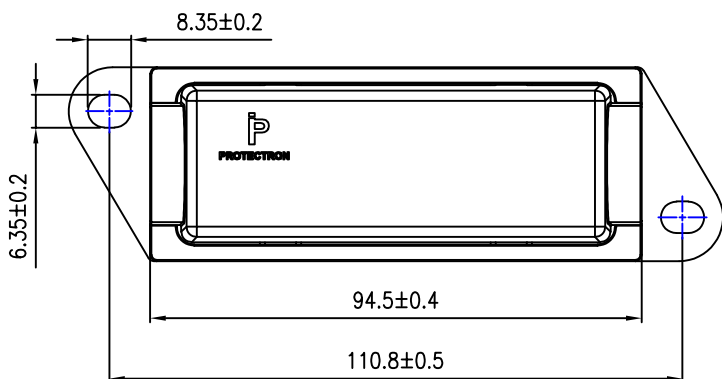
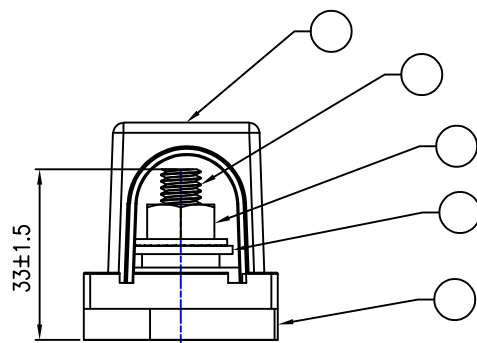
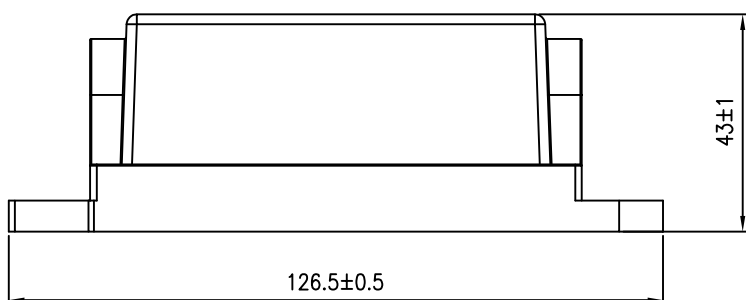
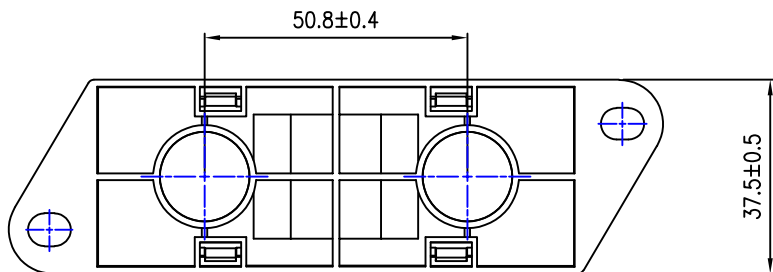
### **FUSE DATA**

PBFM-KT I<sub>n</sub> : 60A to 500A



**DESCRIPTION :** MEGA BOLT DOWN FUSE HOLDER WITH COVER, 70V, RoHS

**PART NO:** P803C-03



BOM			
SL.NO	PART DESCRIPTION	MATERIAL GRADE	FINISH
1	FUSE BASE	PA66+30% GF, UL94-V0	-
2	PLAIN WASHER	SS 202	PASSIVATION
3	M8 FLANGE NUT	SS 202	PASSIVATION
4	M8 FLANGE BOLT (INSERT MOLDED)	SS 202	PASSIVATION
6	COVER	PC, UL94-V0	-

Projection:



Scale: NTS

Sht. Size: A4

Gen. Tol.: ±0.3mm  
±2'

ALL DIMENSIONS ARE IN MM.  
IF UNLESS OTHERWISE SPECIFIED.