



PROTECTRON ELECTROMECH (P) LTD

DESCRIPTION : MEGA BOLT DOWN FUSE HOLDER, 70V, RoHS

PART NO: P803C-02



RoHS



PHYSICAL DATA

INSULATOR

BASE	:	PBT+15%G.F, UL94V-0
PRESS FIT CAP	:	PBT+15%G.F, UL94V-0
COLOR	:	BLACK

ELECTRICAL DATA

CURRENT RATING	:	60A-500A (DC)
VOLTAGE RATING	:	70V DC

ENVIRONMENTAL DATA

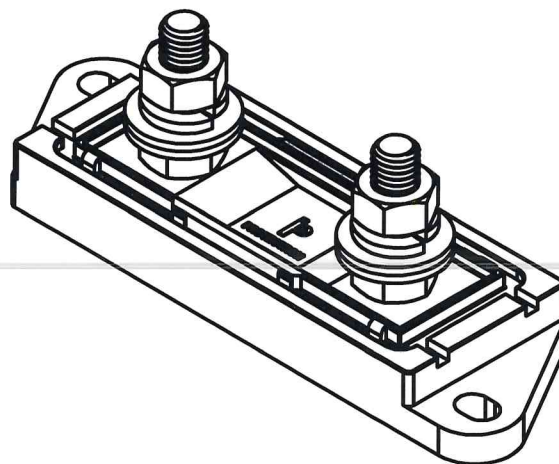
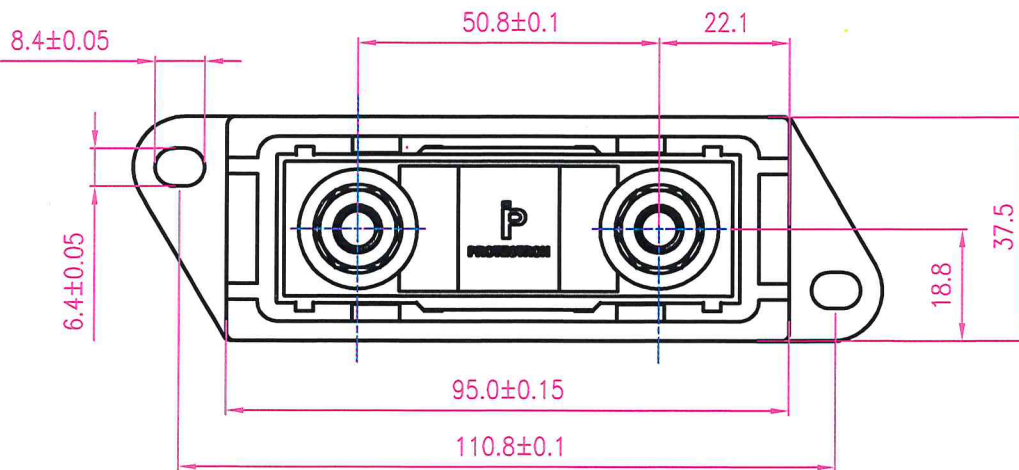
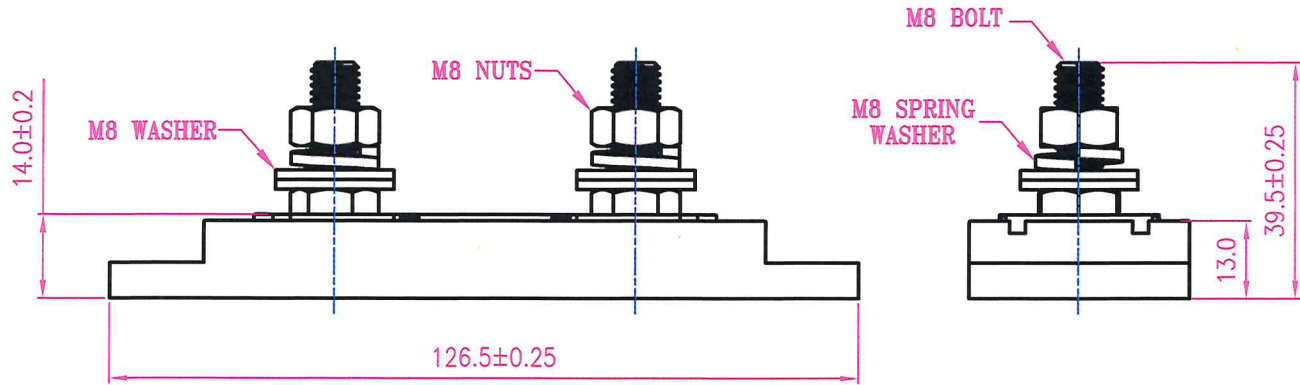
TEMPERATURE RANGE	:	-55°C TO +105°C
-------------------	---	-----------------



PROTECTRON ELECTROMECH (P) LTD

DESCRIPTION : MEGA BOLT DOWN FUSE HOLDER, 70V, RoHS

PART NO: P803C-02



REV.	DESCRIPTION	DRN BY	DATE	CK'ED BY	APP'D BY
A	ORIGINAL	SWATHI H	15.04.2022	<i>Swathi H</i>	<i>Swathi H</i>

Projection: 	Scale: NTS	Sht. Size: A4	Gen. Tol.: $\pm 0.3\text{mm}$ $\pm 2'$	ALL DIMENSIONS ARE IN MM. IF UNLESS OTHERWISE SPECIFIED.
-----------------	------------	---------------	---	---