



DESCRIPTION : MEGA BOLT DOWN FUSE HOLDER, 70V, RoHS

PART NO: P803C-02



RoHS



PHYSICAL DATA

INSULATOR

BASE : PA66+30%G.F, UL94V-0

COLOR : BLACK

ELECTRICAL DATA

CURRENT RATING : 60A-500A (DC)

VOLTAGE RATING : 70V DC

ENVIRONMENTAL DATA

TEMPERATURE RANGE : -55°C TO +105°C

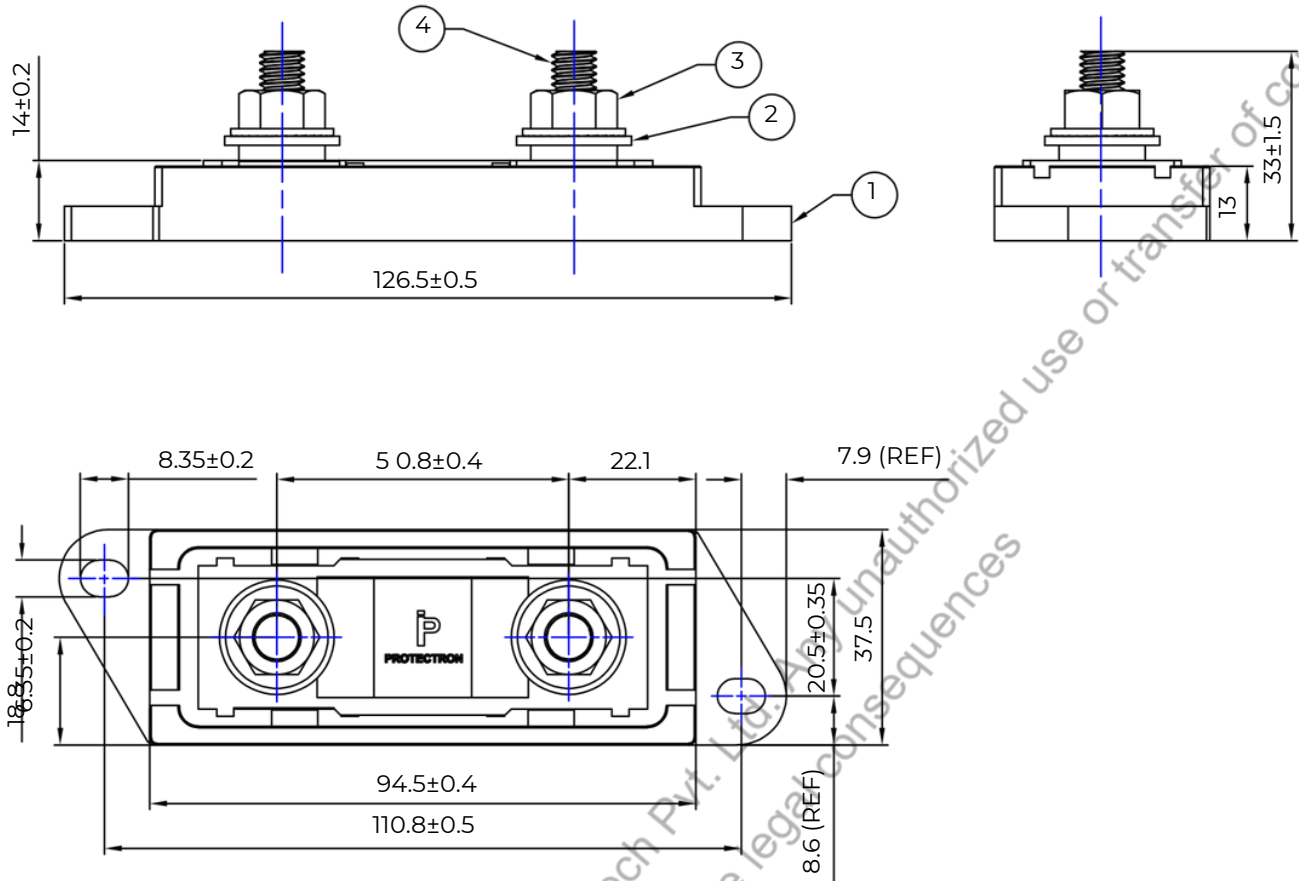
MECHANICAL DATA

TORQUE : 10 to 12 Nm



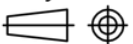
DESCRIPTION : MEGA BOLT DOWN FUSE HOLDER, 70V, RoHS

PART NO: P803C-02



BOM			
SL.NO	PART DESCRIPTION	MATERIAL GRADE	FINISH
1	FUSE BASE	PA66+30% GF, UL94-V0	-
2	M8 PLAIN WASHER	SS 202	PASSIVATION
3	M8 FLANGE NUT	SS 202	PASSIVATION
4	M8 FLANGE BOLT (INSERT MOLDED)	SS 202	PASSIVATION

Projection:



Scale: NTS

Sht. Size: A4

Gen. Tol.: ±0.5mm
±2'

ALL DIMENSIONS ARE IN MM.
IF UNLESS OTHERWISE SPECIFIED.