



**DESCRIPTION :** MEGA BOLT DOWN FUSE HOLDER, 70V, RoHS

**PART NO:** P803C-02



**RoHS**



### **PHYSICAL DATA**

INSULATOR

BASE : PBT+15%G.F, UL94V-0

PRESS FIT CAP : PBT+15%G.F, UL94V-0

COLOR : BLACK

### **ELECTRICAL DATA**

CURRENT RATING : 60A-500A (DC)

VOLTAGE RATING : 70V DC

### **ENVIRONMENTAL DATA**

TEMPERATURE RANGE : -55°C TO +105°C

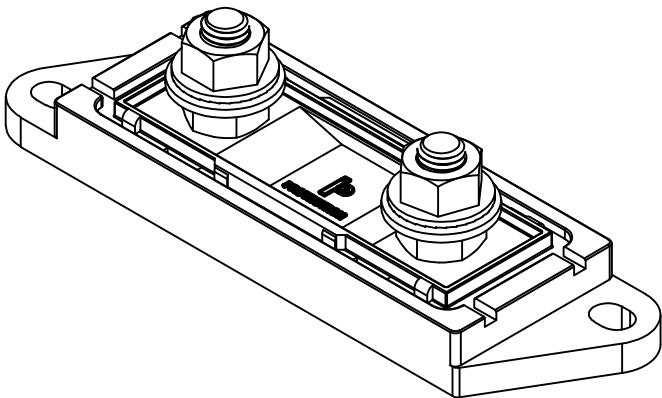
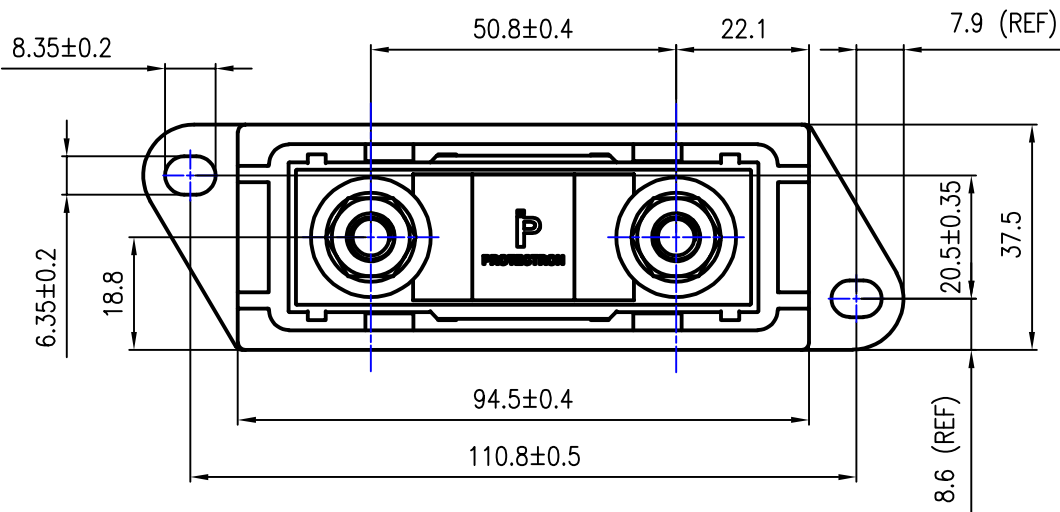
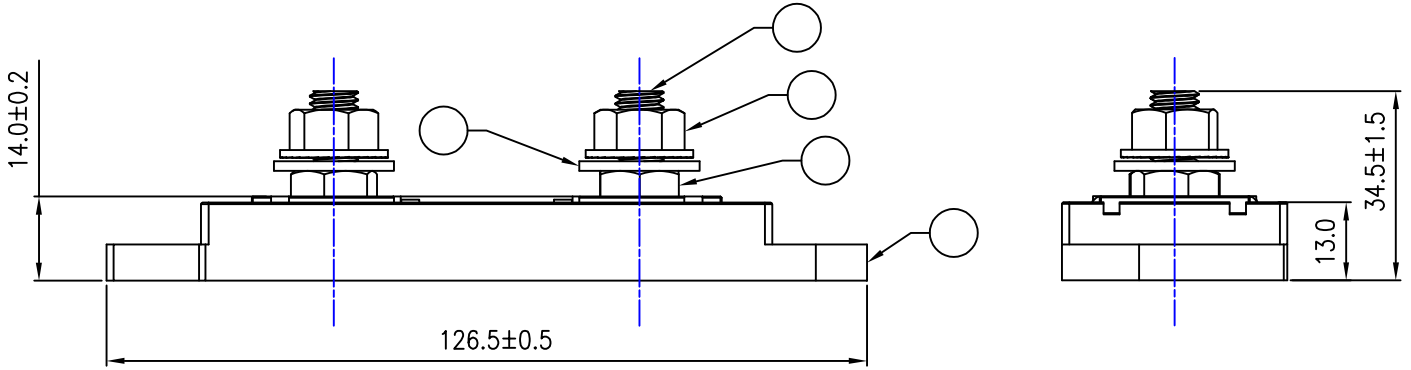
### **MECHANICAL DATA**

TORQUE : 10 to 12 Nm



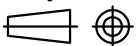
**DESCRIPTION :** MEGA BOLT DOWN FUSE HOLDER, 70V, RoHS

**PART NO:** P803C-02



BOM			
SL.NO	PART DESCRIPTION	MATERIAL GRADE	FINISH
1	FUSE BASE & CAP	PBT+15% GF, UL94-V0	-
2	M8 HALF NUT	SS 202	PASSIVATION
3	M8 PLAIN WASHER	SS 202	PASSIVATION
4	M8 FLANGE NUT	SS 202	PASSIVATION
5	HEX BOLT M8X25	SS 202	PASSIVATION

Projection:



Scale: NTS

Sht. Size: A4

Gen. Tol.: ±0.5mm  
±2'

ALL DIMENSIONS ARE IN MM.  
IF UNLESS OTHERWISE SPECIFIED.