

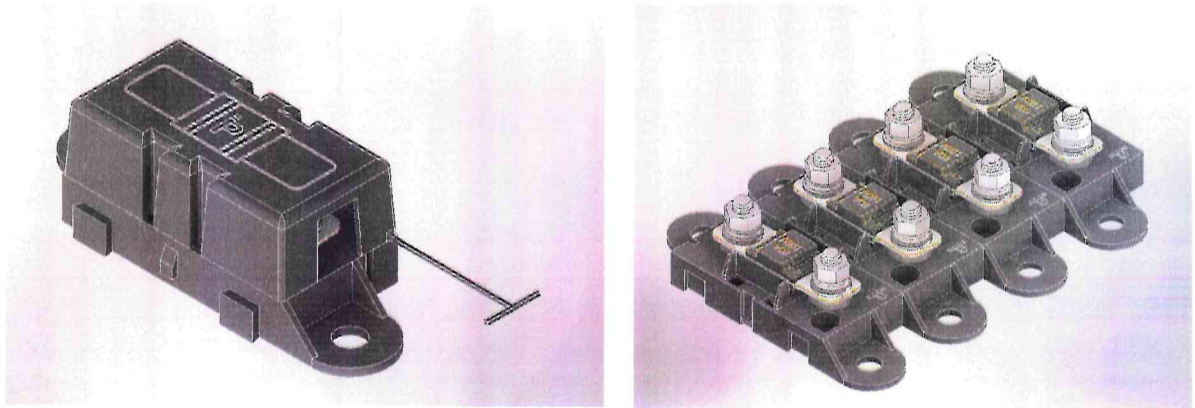


PROTECTRON ELECTROMECH (P) LTD

DESCRIPTION : FUSE HOLDER FOR MIDI BOLT DOWN FUSE, RoHS

PART NO: P803B-03-XX

RoHS



DESCRIPTION

FUSE HOLDER CAN BE USED AS A SINGLE AUTOMOTIVE FUSE HOLDER OR COMBINED WITH ADDITIONAL FUSE HOLDERS TO CREATE A MULTI-FUSE BLOCK. STACKED WITH MIDI BOLT-DOWN FUSES UPTO 200 AMPS.

PHYSICAL DATA

BASE & COVER	:	THERMOPLASTIC, BLACK COLOR
FLAMMABILITY	:	UL94V-0
BOLTS, NUTS & WASHER	:	STAINLESS STEEL 304

ELECTRICAL DATA

MAX VOLTAGE RATING	:	58V DC
MAX FUSE RATING	:	200A
WIRE SIZE	:	25mm ²

ENVIRONMENTAL DATA

TEMPERATURE RANGE	:	-40°C TO +125°C
-------------------	---	-----------------

MECHANICAL DATA

TIGHTENING TORQUE FOR FUSE	:	4 Nm MAX.
----------------------------	---	-----------

FUSE DATA

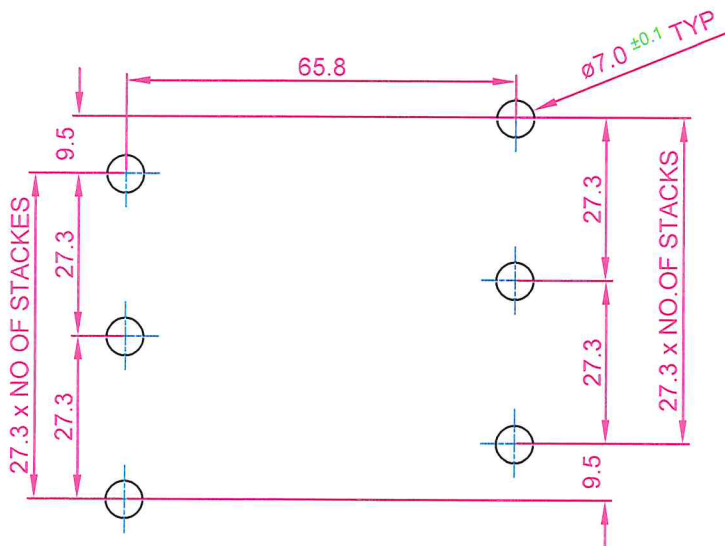
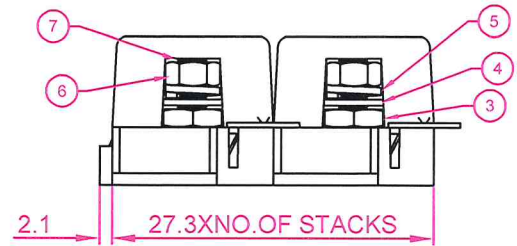
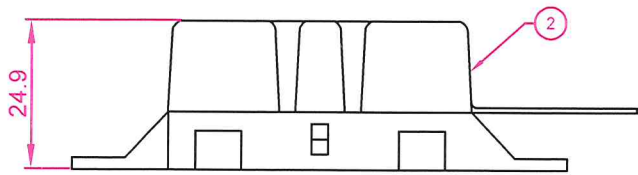
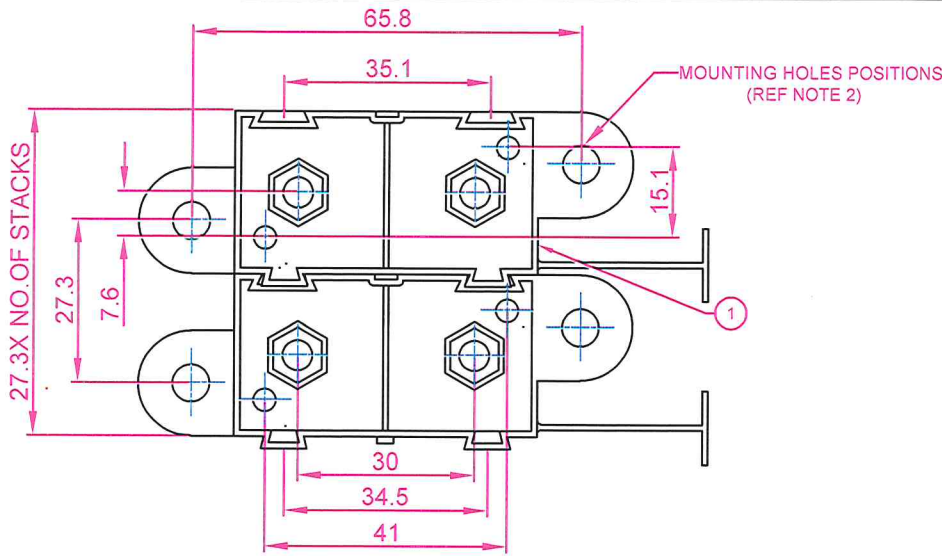
PBFT-L IN & PBFT-LCT-IN	:	30A TO 200A
-------------------------	---	-------------



PROTECTRON ELECTROMECH (P) LTD

DESCRIPTION : FUSE HOLDER FOR MIDI BOLT DOWN FUSE, RoHS

PART NO: P803B-03-XX



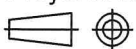
RECOMMENDED MOUNTING LAYOUT
(LAYOUT TOLERANCE $\pm 0.2\text{mm}$)

7	M5 HEXA BOLT	SS 304
6	M5 FULL NUT	SS 304
5	SPRING WASHER	SS 304
4	PLAIN WASHER	SS 304
3	HALF NUT	SS 304
2	COVER	THERMOPLASTIC, UL94 V-0
1	BASE	THERMOPLASTIC, UL94 V-0
SI NO.	DESCRIPTION	MATERIAL & FINISH

NOTE : 1. M5 HEXA BOLT & HEXA NUTS WITH LOCK WASHERS TO BE USED FOR FUSE HOLDING.

2. M6 HEXA SOCKET HEAD BOLT TO BE USED FOR MOUNTING THE FUSE HOLDER, TIGHTENING TORQUE MUST BE 6-7 Nm MAX.

Projection:



Scale: NTS

Sht. Size: A4

Gen. Tol.: $\pm 0.5\text{mm}$
 $\pm 2'$

ALL DIMENSIONS ARE IN MM.
IF UNLESS OTHERWISE SPECIFIED.

<http://www.protectron.in>

protectron@protectron.in



PROTECTRON ELECTROMECH (P) LTD

DESCRIPTION : FUSE HOLDER FOR MIDI BOLT DOWN FUSE, RoHS

PART NO: P803B-03-XX

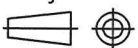
ORDERING INFORMATION

P803B-03-XX

-	BLANK (1 FUSE HOLDER)
XX	NO.OF STACKS (Eg:02- 2 FUSE HOLDERS STACKED)

A3	ORDERING INFORMATION UPDATED	NAYANA R	27.03.2024	<i>[Signature]</i>	
A2	FUSE DESCRIPTION UPDATED	SHUEAB	30.10.2023		
A1	FUSE DETAILS ADDES	SHUEAB	02.08.2023		
A	ORIGINAL	SHUEAB	29.04.2023		
REV.	DESCRIPTION	DRN BY	DATE	CK'ED BY	APP'D BY

Projection:



Scale: NTS

Sht. Size: A4

Gen. Tol.: $\pm 0.5\text{mm}$
 $\pm 2^{\circ}$

ALL DIMENSIONS ARE IN MM.
IF UNLESS OTHERWISE SPECIFIED.