

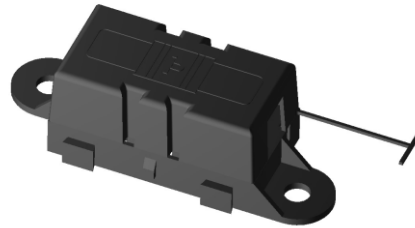


DESCRIPTION : FUSE HOLDER FOR MIDI BOLT DOWN FUSE, RoHS

PART NO: P803B-03



RoHS



PHYSICAL DATA

INSULATOR

BASE

: THERMOPLASTIC

FLAMMABILITY

: UL94V-0

BOLTS, NUTS & WASHER

: STAINLESS STEEL 304

COLOR

: BLACK

ELECTRICAL DATA

MAX VOLTAGE RATING

: 58V DC

MAX FUSE RATING

: 200A

WIRE SIZE

: 25mm²

ENVIRONMENTAL DATA

TEMPERATURE RANGE

: -40°C TO +125°C

MECHANICAL DATA

TORQUE

: 5 Nm

FUSE DATA

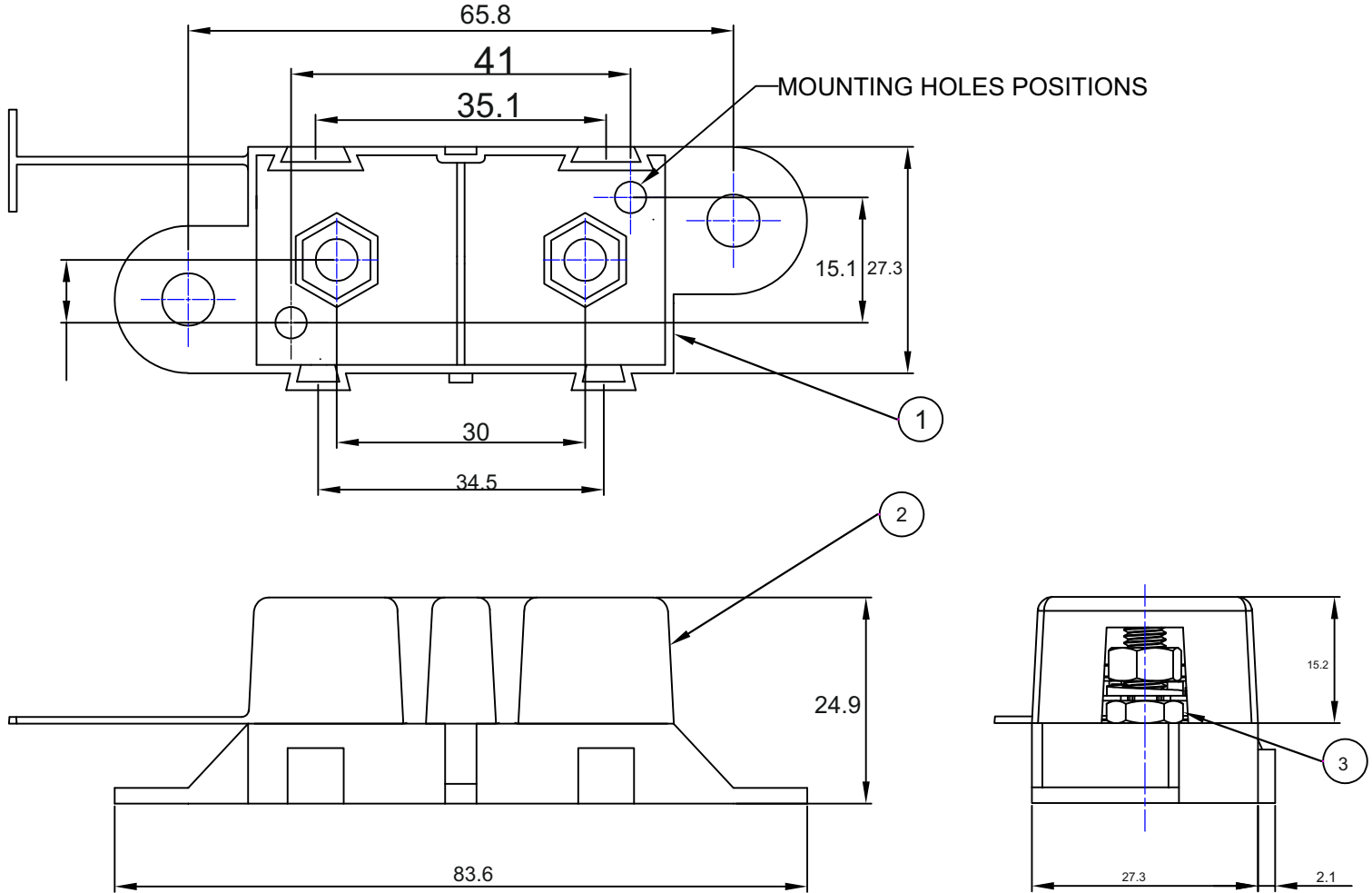
PBFT-L SERIES

: 30A TO 200A



DESCRIPTION : FUSE HOLDER FOR MIDI BOLT DOWN FUSE, RoHS

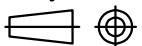
PART NO: P803B-03



3	CONTACT (BOLT/NUT/WASHER)	STEEL 304
2	COVER	THERMOPLASTIC, UL94 V-0
1	BASE	THERMOPLASTIC, UL94 V-0
SI NO.	DESCRIPTION	MATERIAL & FINISH

NOTE : M5 THREADED STUDS & HEX NUTS WITH LOCK WASHERS TO BE USED FOR FUSE HOLDING.
M4 STUDS TO BE USED FOR MOUNTING THE FUSE HOLDER.

Projection:



Scale: NTS

Sht. Size: A4

Gen. Tol.: $\pm 1\text{mm}$
 $\pm 2'$

ALL DIMENSIONS ARE IN MM.
IF UNLESS OTHERWISE SPECIFIED.