



**DESCRIPTION** : FUSE HOLDER FOR BOLT DOWN FUSE , RoHS

**PART NO:** P803B-01



**RoHS**



## PHYSICAL

INSULATION	:	
MATERIAL	:	PA
FLAMMABILITY	:	UL94V-0
BOLTS, NUTS & WASHER	:	STAINLESS STEEL 304
PACKAGING TYPE	:	STANDARD PACKING

## ELECTRICAL DATA

MAX. VOLTAGE RATING	:	32V DC
MAX. FUSE RATING	:	200A
WIRE SIZE	:	25mm <sup>2</sup>

## MECHANICAL DATA

TORQUE RATING	:	5Nm
---------------	---	-----

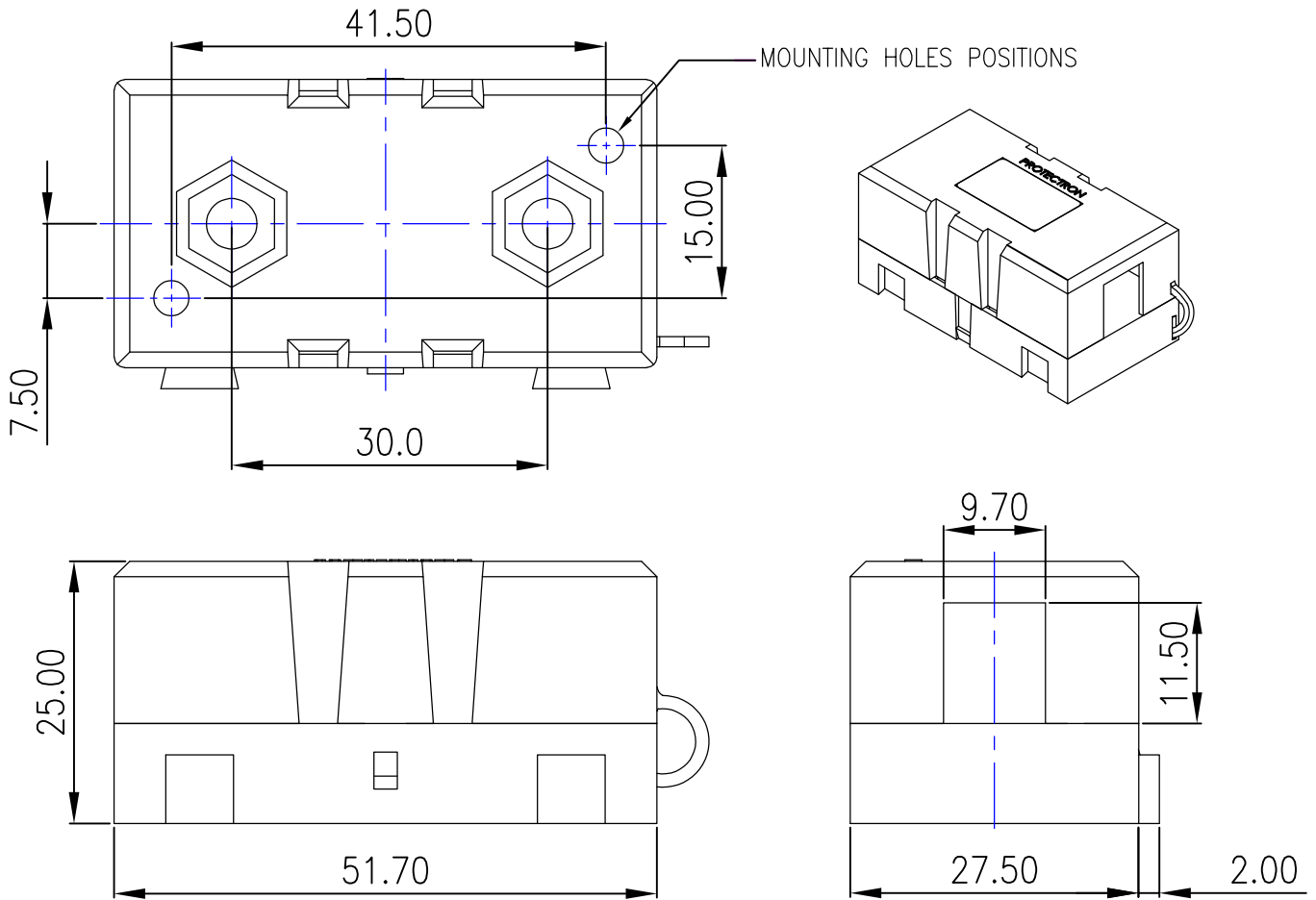
## ENVIRONMENTAL DATA

TEMPERATURE RANGE	:	-40°C TO +125°C
-------------------	---	-----------------



**DESCRIPTION** : FUSE HOLDER FOR BOLT DOWN FUSE , RoHS

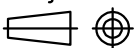
**PART NO:** P803B-01



4	CONTACT (BOLT/NUT/WASHER)	STEEL 304
3	WINDOW COVER	PC UL94 V-0
2	COVER	PA UL94 V-0
1	BASE	PA UL94 V-0
SI NO.	DESCRIPTION	MATERIAL & FINISH

NOTE: M5 THREADED STUDS & HEX NUTS WITH LOCK WASHERS TO BE USED FOR FUSE HOLDING.  
M4 STUDS TO BE USED FOR MOUNTING THE FUSE HOLDER.

Projection:



Scale: NTS

Sht. Size: A4

Gen. Tol.:  $\pm 0.3\text{mm}$   
 $\pm 2'$

ALL DIMENSIONS ARE IN MM.  
IF UNLESS OTHERWISE SPECIFIED.