



# PROTECTRON ELECTROMECH (P) LTD

DESCRIPTION : IN LINE FUSE HOLDER FOR MIDI BLADE FUSE

PART NO: P8039-19-23

## PHYSICAL DATA

INSULATION  
MATERIAL

: PVC, UL94V-0

CRIMP TERMINAL

: BRASS, NICKEL PLATING

## ELECTRICAL DATA

CURRENT RATING

: 25A MAX

VOLTAGE RATING

: 32V

INSULATION RESISTANCE

: 100M OHMS MIN @500V DC

WIRE

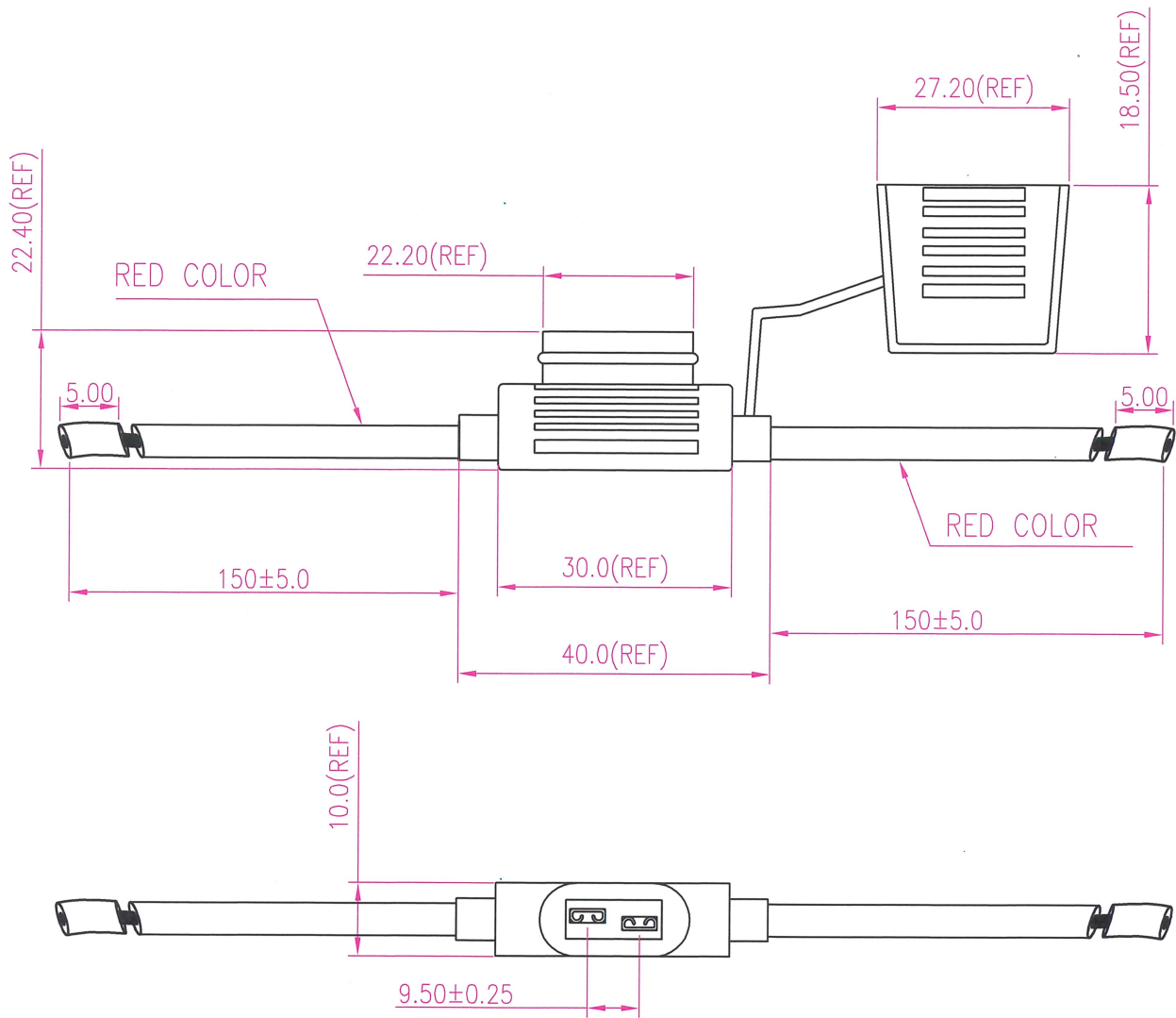
: 2.5SQmm FLRYB RED COLOR CABLE  
150mm LONG ON EACH ENDS



# PROTECTRON ELECTROMECH (P) LTD

DESCRIPTION : IN LINE FUSE HOLDER FOR MIDI BLADE FUSE

PART NO: P8039-19-'23



A	ORIGINAL	SWATHI H	04.10.2021	<i>M. S. Swathi</i>	<i>Barly</i>
REV.	DESCRIPTION	DRN. BY	DATE	CK'ED BY	APP'D BY
Projection: 	Scale: NTS	Sht. Size: A4	Gen. Tol.: $\pm 0.5$ mm	ALL DIMENSIONS ARE IN MM. IF UNLESS OTHERWISE SPECIFIED.	