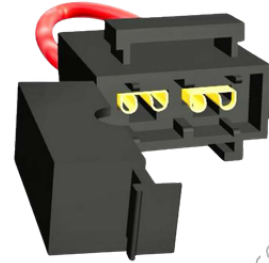




**DESCRIPTION :** IN LINE FUSE HOLDER FOR BLADE FUSE

**PART NO:** P8039-15



### PHYSICAL DATA

<b>MATERIAL</b>	:	NYLON
<b>UL WIRE</b>	:	14 AWG/8" LOOP
<b>TERMINAL</b>	:	BRASS

### ELECTRICAL DATA

<b>CURRENT RATING</b>	:	20A
<b>VOLTAGE DROP</b>	:	20mV MAX
<b>INSULATION RESISTANCE</b>	:	100M OHMS MAX @500V DC
<b>CONTACT RESISTANCE</b>	:	5m OHMS MAX, @1 AMPS DC
<b>DIELECTRIC STRENGTH</b>	:	1500V AC MIN, FOR 60 SEC

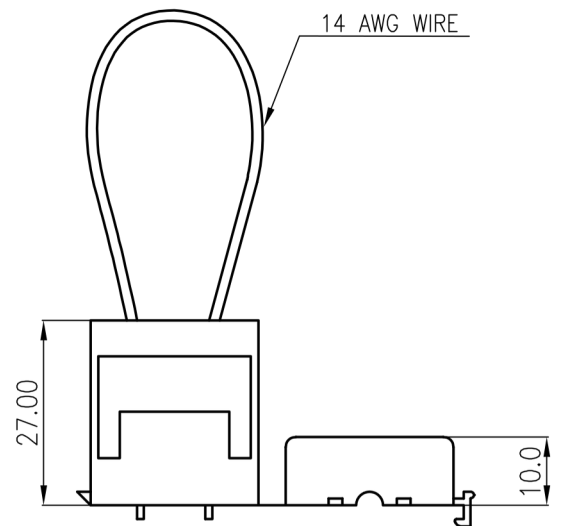
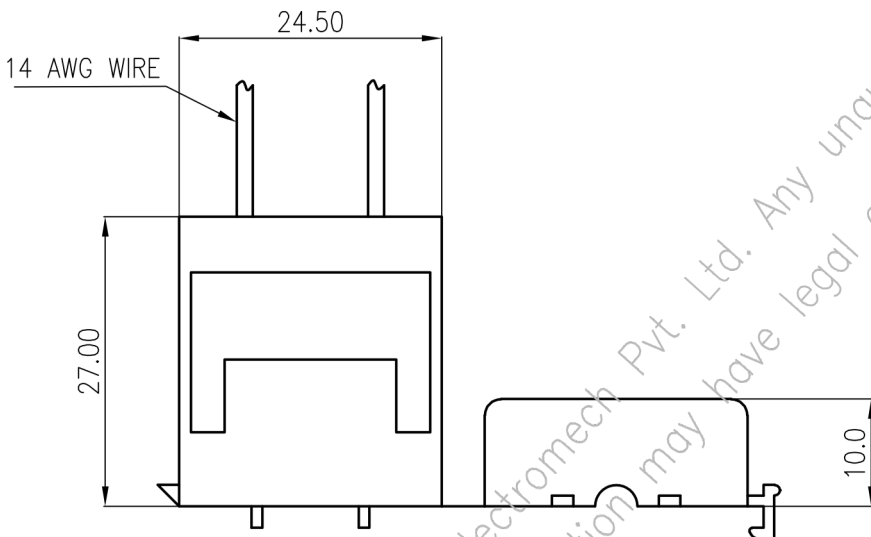
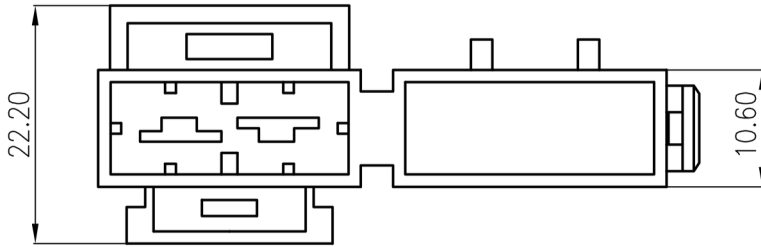
### MECHANICAL DATA

<b>INSERTION AND EXTRCTION</b>	:	1.0kg. MIN
<b>TEMPERATURE RISE</b>	:	50°C MAX



DESCRIPTION : IN LINE FUSE HOLDER FOR BLADE FUSE

PART NO: P8039-15



Projection:



Scale: NTS

Sht. Size: A4

Gen. Tol.:  $\pm 0.5\text{mm}$   
 $\pm 2'$

ALL DIMENSIONS ARE IN MM.  
IF UNLESS OTHERWISE SPECIFIED.