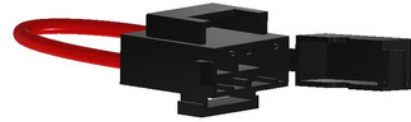




DESCRIPTION : IN LINE FUSE HOLDER FOR BLADE FUSE

PART NO: P8039-15



PHYSICAL DATA

MATERIAL	:	NYLON
UL WIRE	:	14 AWG/8" LOOP
TERMINAL	:	BRASS

ELECTRICAL DATA

CURRENT RATING	:	20A
VOLTAGE DROP	:	20mV MAX
INSULATION RESISTANCE	:	100M OHMS MAX @500V DC
CONTACT RESISTANCE	:	5m OHMS MAX, @1 AMPS DC
DIELECTRIC STRENGTH	:	1500V AC MIN, FOR 60 SEC

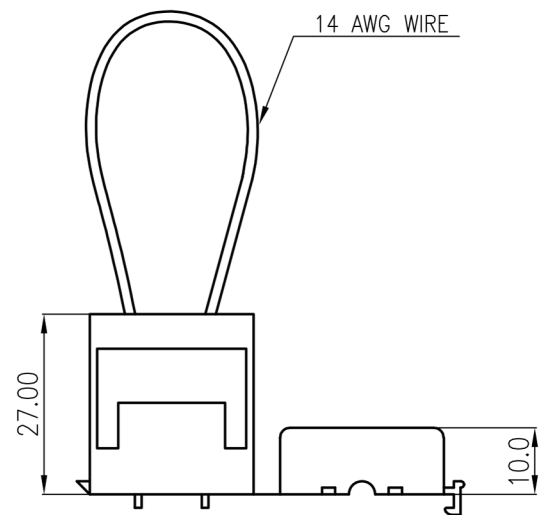
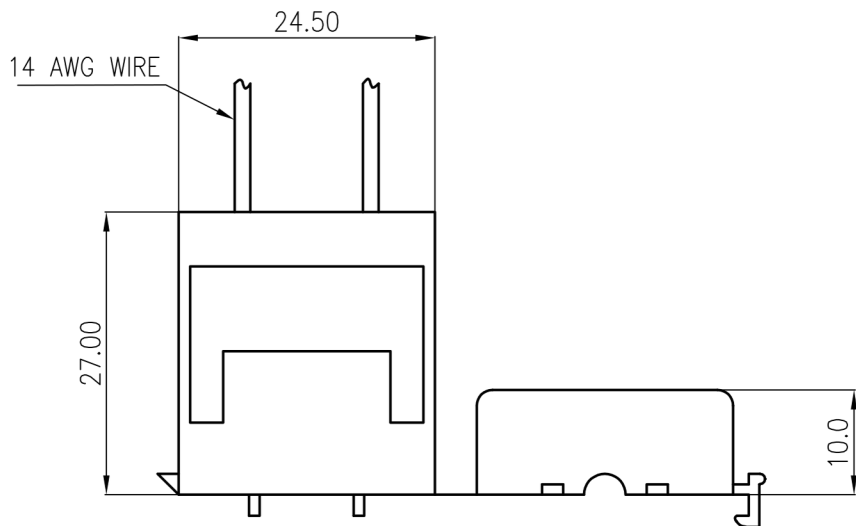
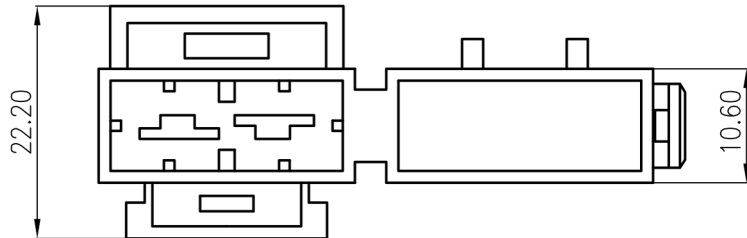
MECHANICAL DATA

INSERTION AND EXTRCTION	:	1.0kg. MIN
TEMPERATURE RISE	:	50°C MAX



DESCRIPTION : IN LINE FUSE HOLDER FOR BLADE FUSE

PART NO: P8039-15



Projection:



Scale: NTS

Sht. Size: A4

Gen. Tol.: $\pm 0.5\text{mm}$
 $\pm 2'$

ALL DIMENSIONS ARE IN MM.
IF UNLESS OTHERWISE SPECIFIED.