



DESCRIPTION : PCB MOUNT CLIP FOR ϕ 6.30mm FUSES, EAR TYPE **PART NO:** P8038-02



RoHS



PHYSICAL DATA

CLIP : PHOSPHOR BRONZE 0.3mm THICK,
TIN PLATED

ELECTRICAL DATA

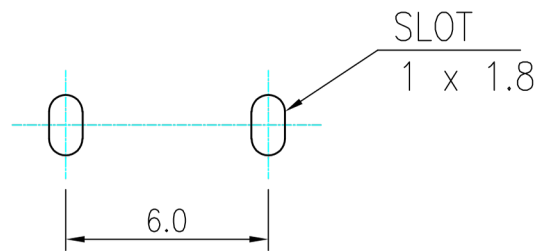
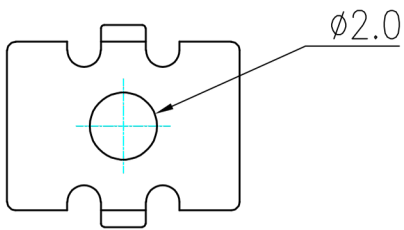
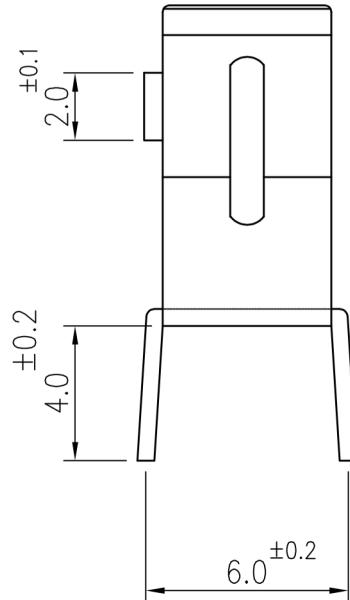
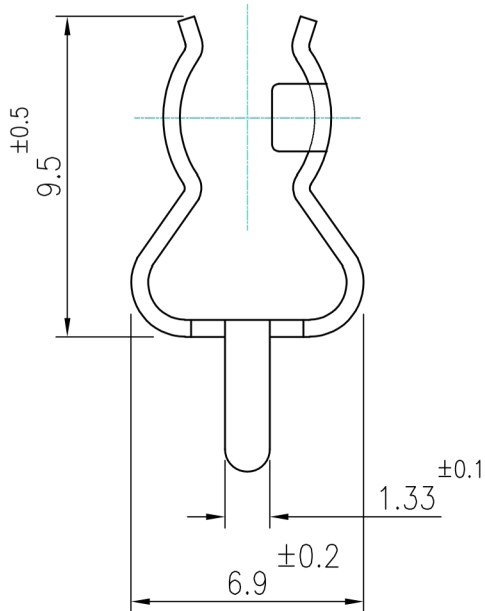
RATED CURRENT : 8A

ORDERING INFORMATION

P8038-02

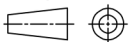


DESCRIPTION : PCB MOUNT CLIP FOR $\phi 6.30\text{mm}$ FUSES, EAR TYPE **PART NO:** P8038-02



MOUNTING HOLES DETAIL

Projection:



Scale: NTS

Sht. Size: A4

Gen. Tol.: $\pm 0.25\text{mm}$

ALL DIMENSIONS ARE IN MM.
IF UNLESS OTHERWISE SPECIFIED.