



DESCRIPTION : PCB MOUNT CLIPS FOR $\phi 6.35\text{mm}$ FUSE, 7.50mm PITCH

PART NO: P8038-01



RoHS



PHYSICL DATA

CLIP : PHOSPHOR BRONZE, TIN PLATED.

PACKING INFORMATION : 1000Nos. min. IN POLY PAGS

ELECTRICAL DATA

MAXIMUM RATED CURRENT : 20A

MAXIMUM RATED POWER : 225 watts

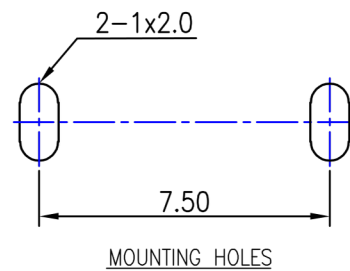
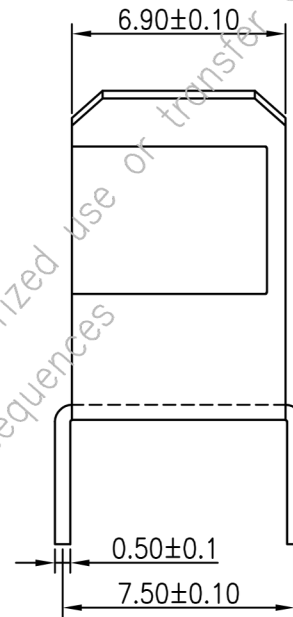
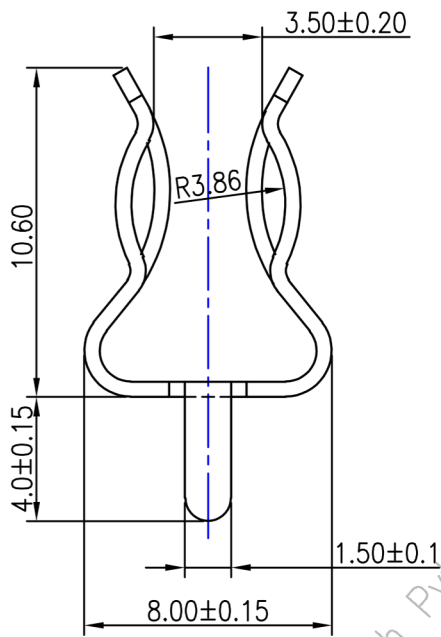
MAXIMUM UPRATING TEMP : 50°c

MAXIMUM VOLTAGE : 15V



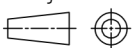
DESCRIPTION : PCB MOUNT CLIPS FOR $\phi 6.35$ mm FUSE, 7.50mm PITCH

PART NO: P8038-01



Confidential Property of Protectron Electromech Pvt. Ltd. Any unauthorized use or transfer of confidential information may have legal consequences

Projection:



Scale: NTS

Sht. Size: A4

Gen. Tol.: ±0.35mm

ALL DIMENSIONS ARE IN MM.
IF UNLESS OTHERWISE SPECIFIED.