



DESCRIPTION : P.C.B MOUNT FUSE CLIPS WITH STANDOFF FOR
Ø5.20mm

PART NO: P8035-10-29



RoHS



MATERIAL

CLIP : PHOSPHOR BRONZE, TIN PLATED.
PACKING : 1000Nos. min. IN POLY BAGS

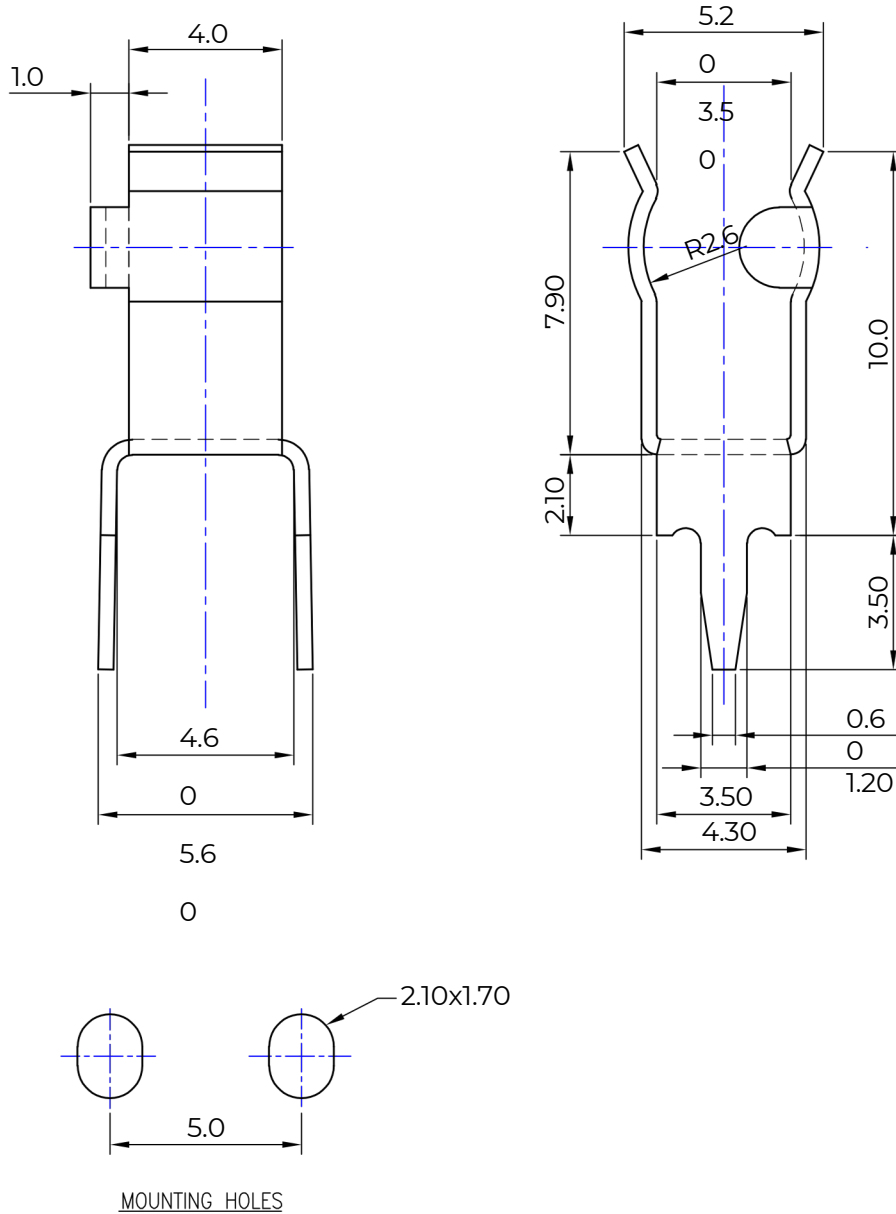
ORDERING INFORMATION

P8035-10-29



DESCRIPTION : P.C.B MOUNT FUSE CLIPS WITH STANDOFF FOR $\phi 5.20\text{mm}$

PART NO: P8035-10-29



Projection:



Scale: NTS

Sht. Size: A4

Gen. Tol.: $\pm 0.25\text{mm}$

ALL DIMENSIONS ARE IN MM.
IF UNLESS OTHERWISE SPECIFIED.