



**DESCRIPTION** : FUSE CLIP OF 6.0mm PITCH FOR 5x20mm FUSE.

**PART NO:** P8035-09



RoHS



### MATERIAL

CLIP : PHOSPHOR BRONZE, TIN PLATED.  
PACKING : 1000Nos. min. IN POLY BAGS

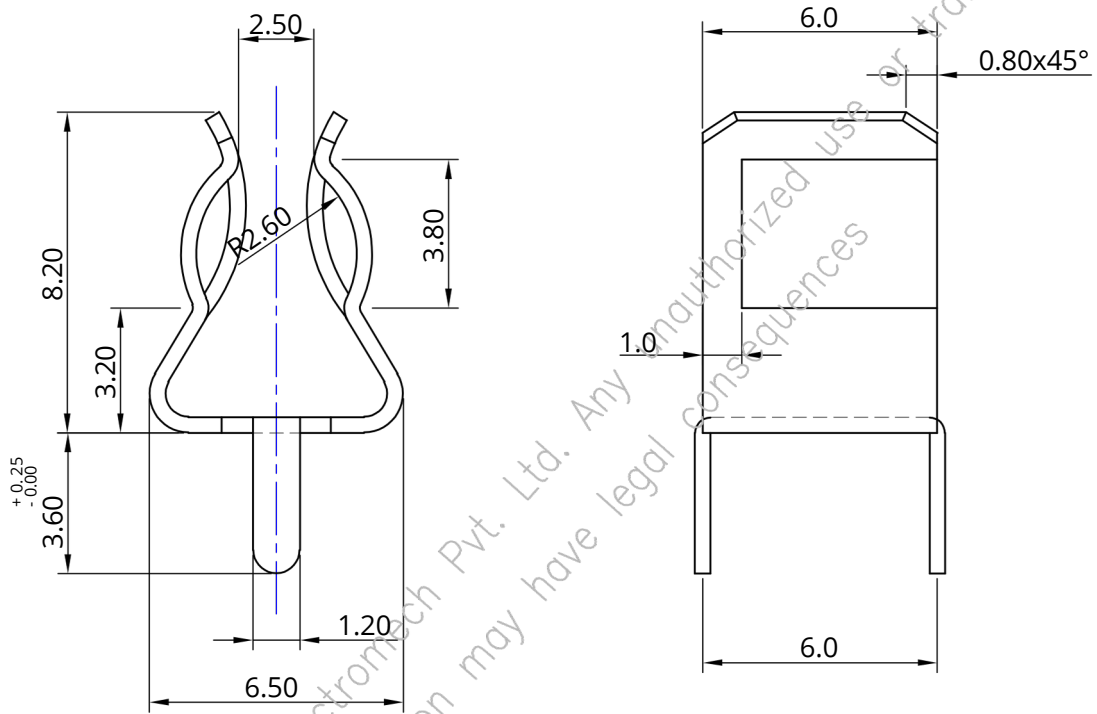
### ORDERING INFORMATION

**P8035-09**



**DESCRIPTION :** FUSE CLIP OF 6.0mm PITCH FOR 5x20mm FUSE.

**PART NO:** P8035-09



Confidential Property of Protectron Electromech Pvt. Ltd. Any unauthorized use or transfer of confidential information may have legal consequences

Projection:



Scale: NTS

Sht. Size: A4

Gen. Tol.: ±0.2mm

ALL DIMENSIONS ARE IN MM.  
IF UNLESS OTHERWISE SPECIFIED.