



DESCRIPTION : FUSE CLIP OF 6.0mm PITCH FOR 5x20mm FUSE.

PART NO: P8035-09



RoHS



MATERIAL

CLIP : PHOSPHOR BRONZE, TIN PLATED.
PACKING : 1000Nos. min. IN POLY BAGS

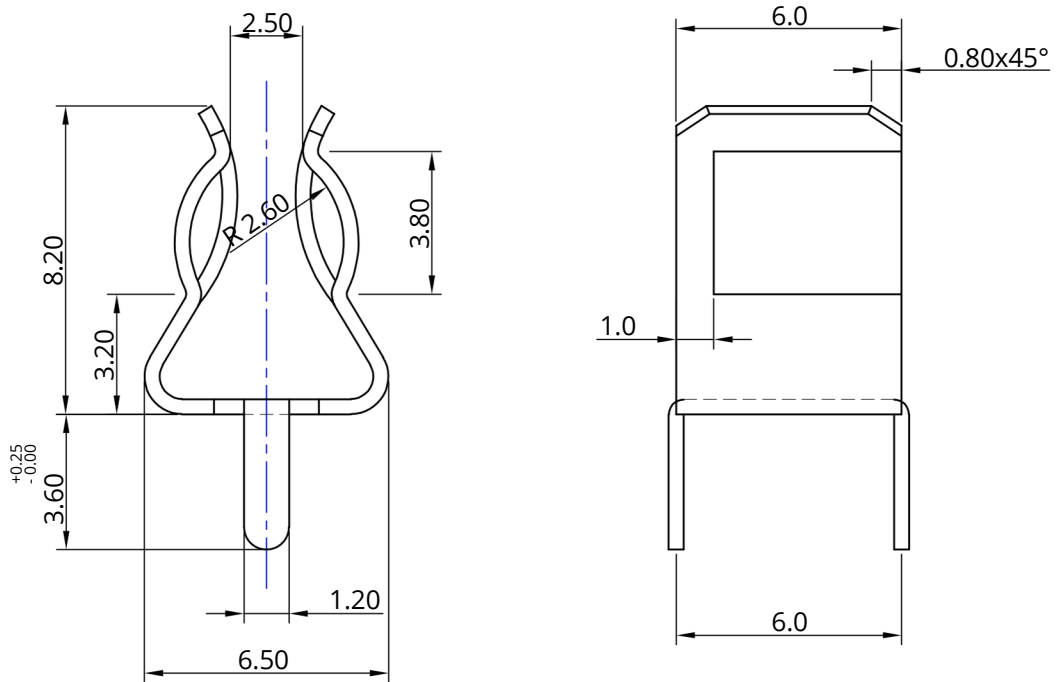
ORDERING INFORMATION

P8035-09



DESCRIPTION : FUSE CLIP OF 6.0mm PITCH FOR 5x20mm FUSE.

PART NO: P8035-09



Projection:



Scale: NTS

Sht. Size: A4

Gen. Tol.: $\pm 0.2\text{mm}$

ALL DIMENSIONS ARE IN MM.
IF UNLESS OTHERWISE SPECIFIED.