



DESCRIPTION : FUSE CLIP OF 6.80mm PITCH FOR 5x20mm
FUSE RoHS

PART NO: P8035-05



RoHS

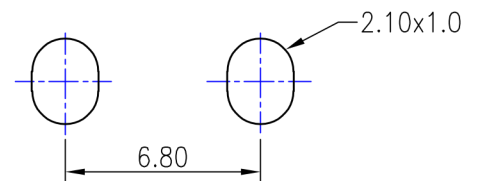
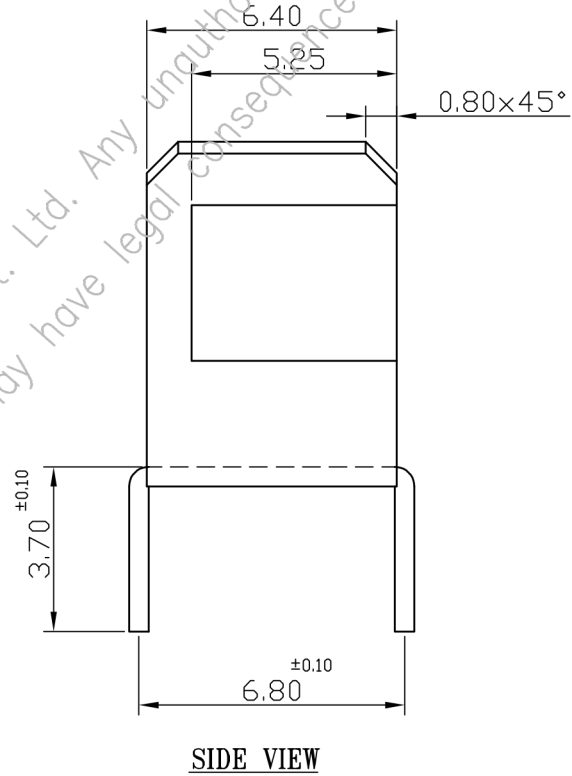
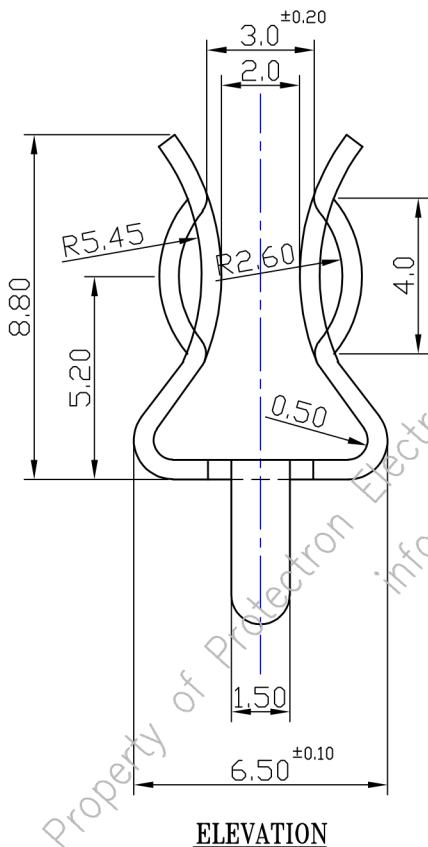


MATERIAL DATA

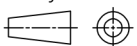
CLIP : PHOSPHOR BRONZE (0.40mm THICK), NICKEL PLATED

ELECTRICAL DATA

CONTACT RESISTANCE : <5m OHMS
RATED CURRENT : 15A



Projection:



Scale: NTS

Sht. Size: A4

Gen. Tol.: ±0.25mm

ALL DIMENSIONS ARE IN MM.
IF UNLESS OTHERWISE SPECIFIED.