



DESCRIPTION : PCB MOUNT CLIP FOR ϕ 5.20mm FUSE

PART NO: P8035-02



RoHS



MATERIAL

CLIP : PHOSPHOR BRONZE, TIN PLATED.
PACKING : 1000Nos. min. IN POLY BAG

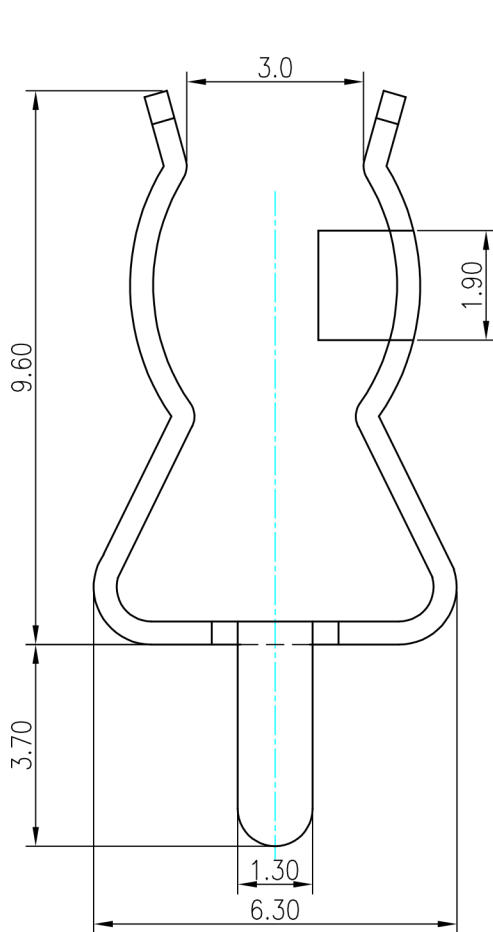
ORDERING INFORMATION

P8035-02

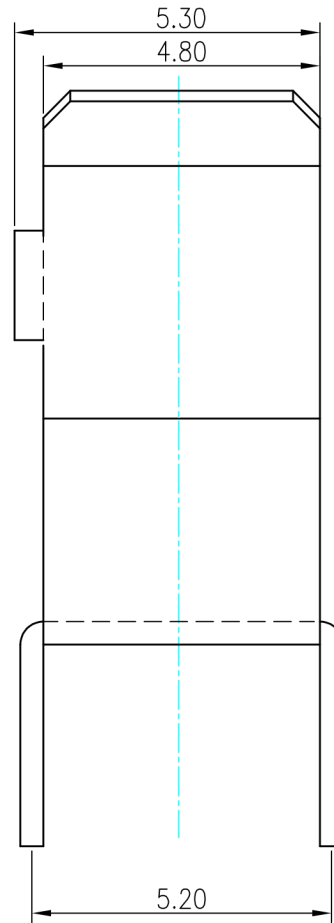


DESCRIPTION : PCB MOUNT CLIP FOR ϕ 5.20mm FUSE

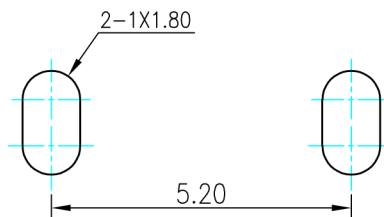
PART NO: P8035-02



ELEVATION



SIDE VIEW



PCB MOUNTING HOLE

Projection:



Scale: NTS

Sht. Size: A4

Gen. Tol.: $\pm 0.2\text{mm}$
 $\pm 2^\circ$

ALL DIMENSIONS ARE IN MM.
IF UNLESS OTHERWISE SPECIFIED.