



DESCRIPTION : PCB MOUNT CLIP FOR ϕ 5.20mm FUSE

PART NO: P8035-01



RoHS



MATERIAL

CLIP : PHOSPHOR BRONZE, TIN PLATED.
PACKING : 1000Nos. min. IN POLY BAG

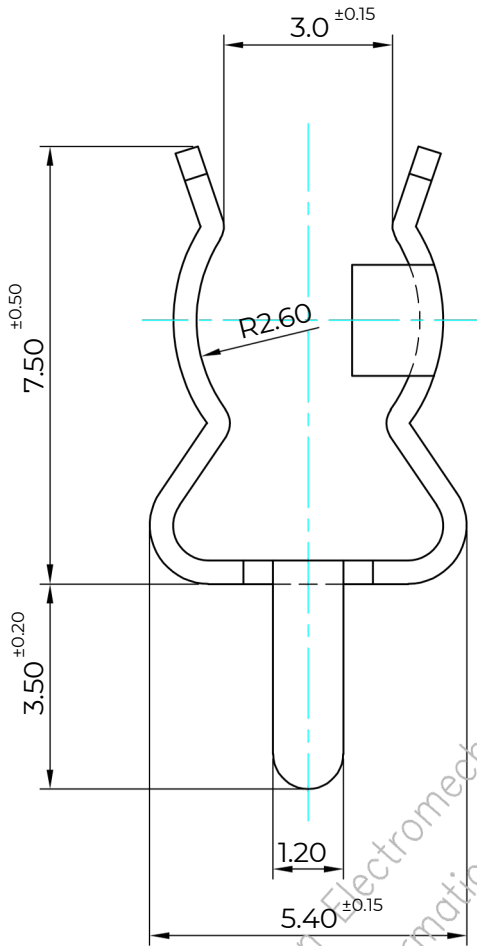
ORDERING INFORMATION

P8035-01

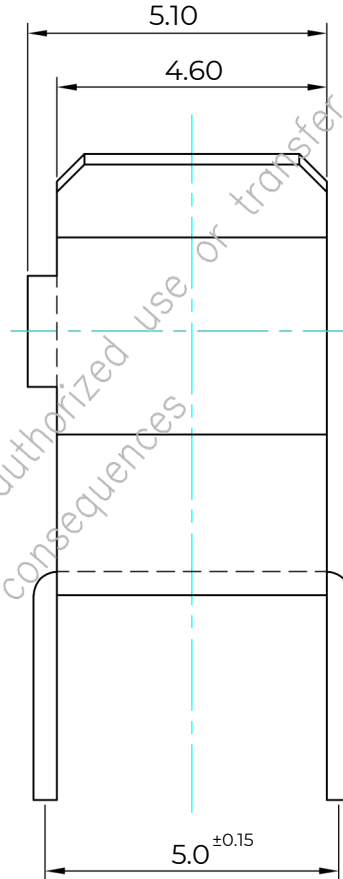


DESCRIPTION : PCB MOUNT CLIP FOR $\phi 5.20\text{mm}$ FUSE

PART NO: P8035-01



ELEVATION



SIDE VIEW

Projection:



Scale: NTS

Sht. Size: A4

Gen. Tol.: $\pm 0.25\text{mm}$

ALL DIMENSIONS ARE IN MM.
IF UNLESS OTHERWISE SPECIFIED.